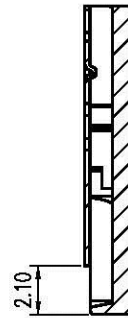
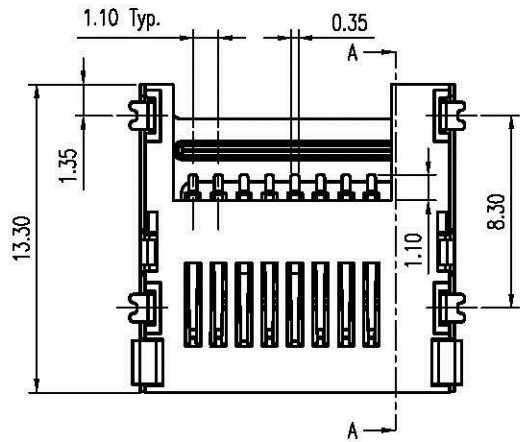
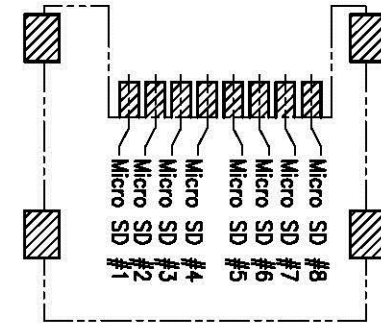


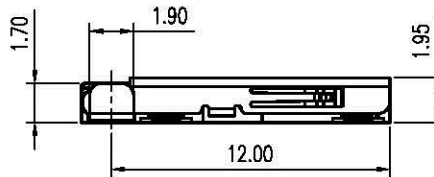
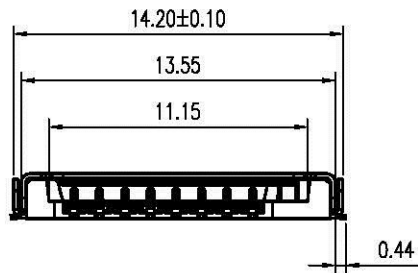
REV.	DESCRIPTION	ECN NO.	DATE	DRAWER
A	New Released		10/08/2009	Kevin



SECTION A-A
SCALE 1:1



Micro SD #1	Micro SD DAT2
Micro SD #2	Micro SD CD/DAT3
Micro SD #3	Micro SD CMD
Micro SD #4	Micro SD VDD
Micro SD #5	Micro SD CLK
Micro SD #6	Micro SD VSS
Micro SD #7	Micro SD DAT0
Micro SD #8	Micro SD DAT1



DIMENSION IN mm [inch]	
Tolerance unless otherwise specified	
X.	X.' ± 4'
X.X ± 0.38	X.X' ± 3'
X.XX ± 0.25	X.XX' ± 2'
X.XXX ± 0.10	X.XXX' ±

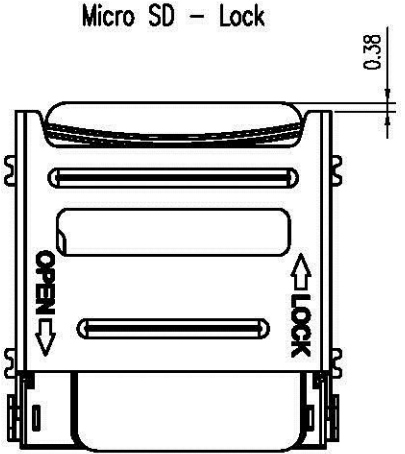
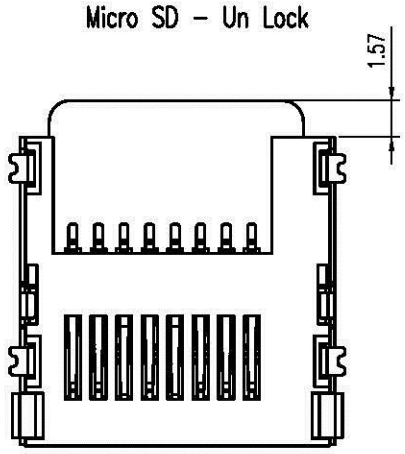
Allconnectors

www.allconnectors.de
Tel.: 0049 711 7009503
70794 Filderstadt - Germany

info@allconnectors.de
Fax: 0049 711 7009504
Kettnerstr. 25

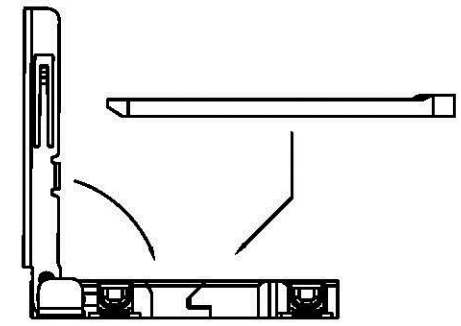
Title		Scale: 3 : 1	
Micro SD Memory Card		Size: A 4	
Dwg No. ZM90-04011-OHRA		Rev : A	
File No.		Sheet: 1 / 2	
Appraver:		Drawer: Kevin_*	
Checker:		10/08/2009	

REV.	DESCRIPTION	ECN NO.	DATE	DRAWER
A	New Released		10/08/2009	Kevin

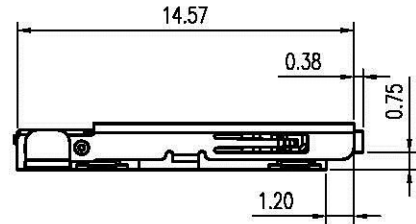


Notes:

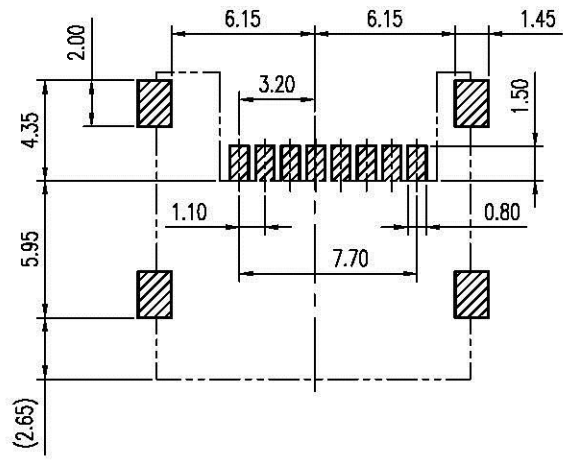
- Material :
Housing : Thermoplastic UL 94V-0
Terminal : Copper Alloy
Shell : Stainless Steel
- Finished :
Terminal : Gold on Contact Area, Tin on Solder Tails, Both over Ni Under-plated Overall
- Order Information :
ZM90-04011-0HRA
Z: RoHS(for High Temperature)



Micro SD Card put Drawing:(Unit:mm)



Micro SD Card - Lock



Recommended P.C.B. Layout
Layout Tolerance = ± 0.05 mm

DIMENSION IN mm [inch]		All Connectors		Title	
Tolerance unless otherwise specified		www.allconnectors.de Tel.: 0049 711 7060500 70729 Ulmerstadt - Germany		Micro SD Memory Card	
X.	X.' ± 4'	info@allconnectors.de Fax: 0049 711 7060504 Kettenhofstr. 25		Dwg No. ZM90-04011-0HRA	
X.X ± 0.38	X.X' ± 3'	CUSTOMER DRAWING		File No.	
X.XX ± 0.25	X.XX' ± 2'			Scale: 3 : 1	
X.XXX ± 0.10	X.XXX' ±			Size: A 4	
Approver:		Checker:		Drawer: Kevin_*	
				10/08/2009	
				Rev : A	
				Sheet: 2 / 2	