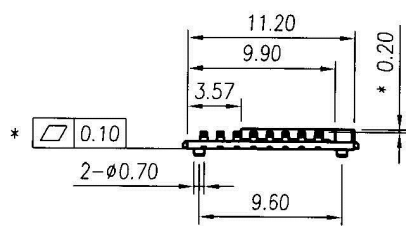
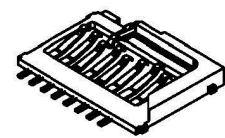
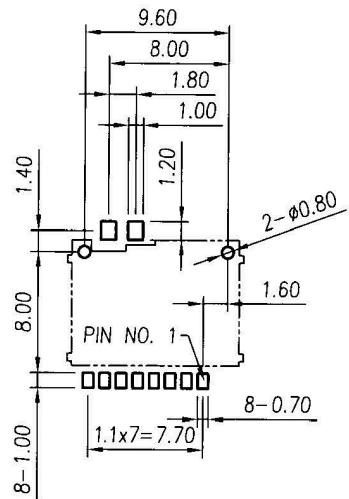
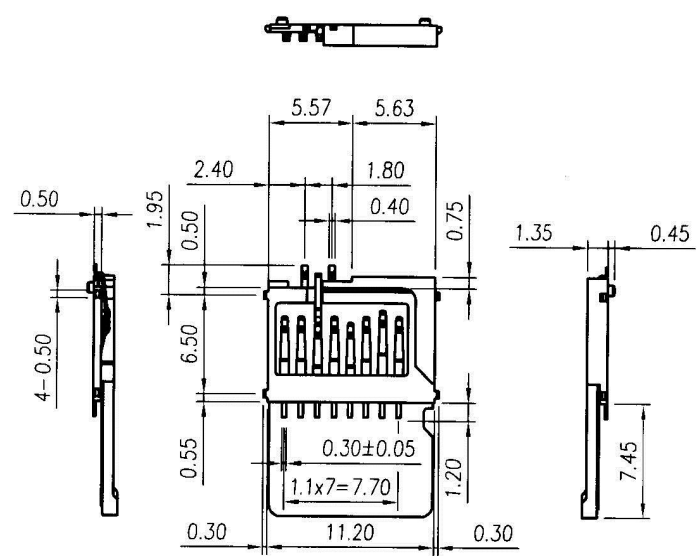


REV	MODIFICATION	DATE	DRAW
B	EN-08-0817	97-08-13	Gary
C	EN-08-0917	97-09-09	Gary



P.C.B Layout (Top View)

NOTES:

- 1. Material:
 - Housing: Thermoplastic UL94V-0
 - Color: Black
 - Contact: Phosphor Bronze.
 - Tin 100u" at Solder Tail, See "Ordering Information" for Contact Area Plating

Ordering Information:
TFBMF-108XXBTOX

Contact Area Plating:
PACKAGE TYPE :
0 : TRAY
1 : TAPE REEL
Comply to SONY SS-00259

DIMENSION IN mm [inch]		PROD. SPEC.	Allconnectors	
TOLERANCE UNLESS OTHERWISE SPECIFIED		SP-0103	www.allconnectors.de Tel: +49 714 200000 70794 Filzschmitt - Germany Kettenerstr. 25	
		PKG. SPEC.	Micro SD Card Connector	
		PPP-TFB-001	Simple Type	
		APPROVE	CUSTOMER DRAWING	
		CHECK	FILE NO. KFP-103	DWG NO. TFBMF-108XXBXXX
		DRAW	SIZE A4	PROJ. SHEET 1 / 1
			SCALE 2:1	REV C

Micro SD	
PIN	NAME
1	DAT2
2	CD/DAT3
3	CMD
4	VDD
5	CLK
6	VSS2
7	DATO
8	DAT1