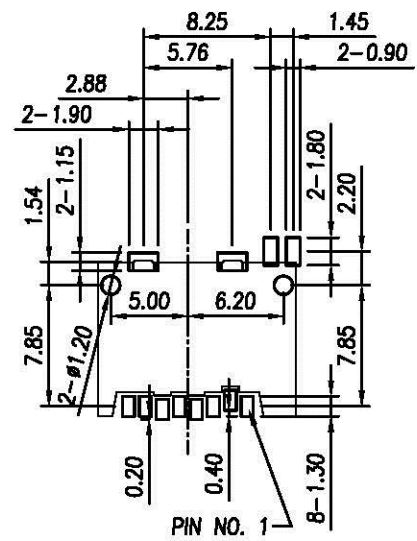
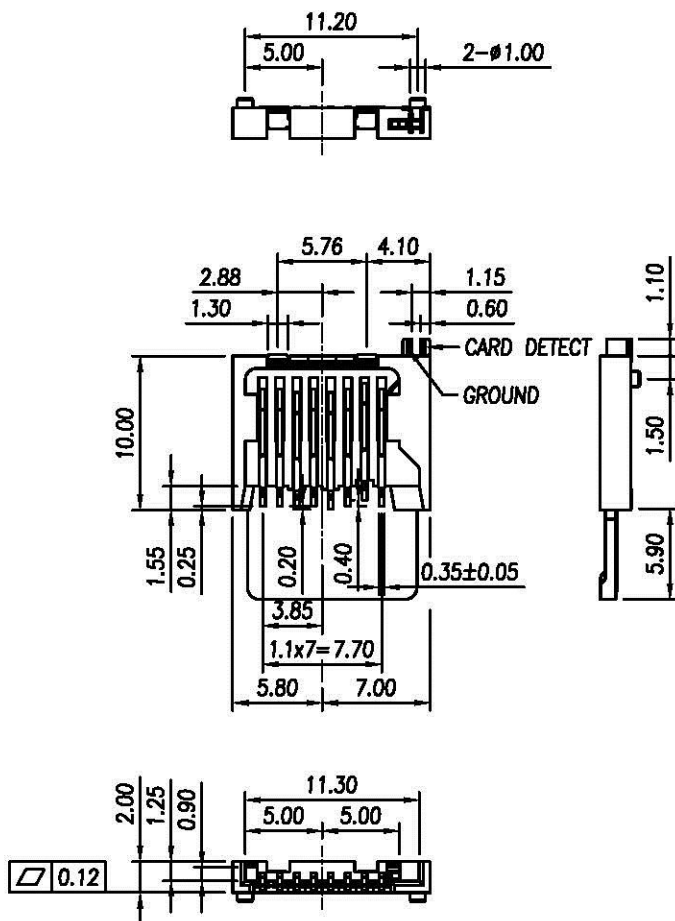


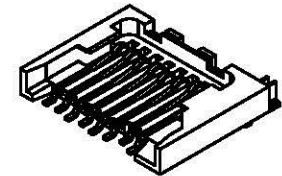
1 2 3 4 5 6 7 8

REV	MODIFICATION	DATE	DRAW

F  
E  
D  
C  
B  
A



P.C.B Layout ( Top View )



NOTES:

- 1.Material:  
Housing:Thermoplastic UL94V-0  
Color:Black  
Contact:Phosphor Bronze.  
Tin 100u" at Solder Tail,See  
"Ordering Information" for Contact  
Area Plating

Ordering Information:  
**TFAMF-111XXBTOX**  
Contact Area Plating:  
PACKAGE TYPE :  
0 : TRAY  
1 : TAPE REEL  
Comply to RoHS

DIMENSION IN mm [Inch]		PROD. SPEC. SP-0102	All Connectors	
TOLERANCE UNLESS OTHERWISE SPECIFIED		PKG. SPEC. PPP-TFA-001	Micro SD Card Connector Manual Type	
TITLE		APPROVE	CUSTOMER DRAWING	
FILE NO. KFP-102		CHECK	DWG NO. TFAMF-111XXBXXX	
SIZE <b>A4</b>		DRAW	SHEET 1 / 1	
SCALE 2:1		REV A		

PIN	NAME
1	DAT2
2	CD/DAT3
3	CMD
4	VDD
5	CLK
6	VSS2
7	DAT0
8	DAT1

1 2 3 4 5 6 7 8 8F-01-R02