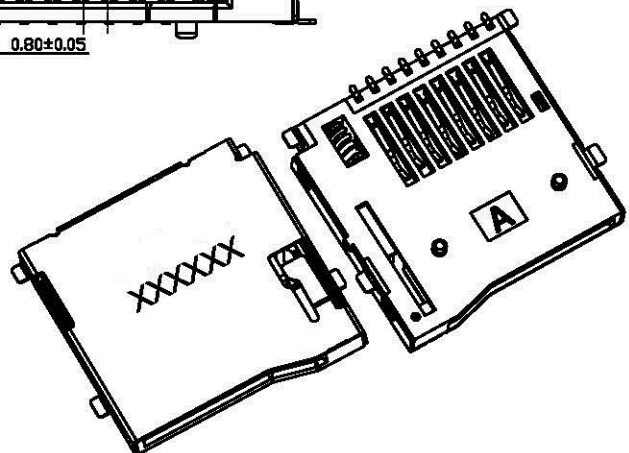
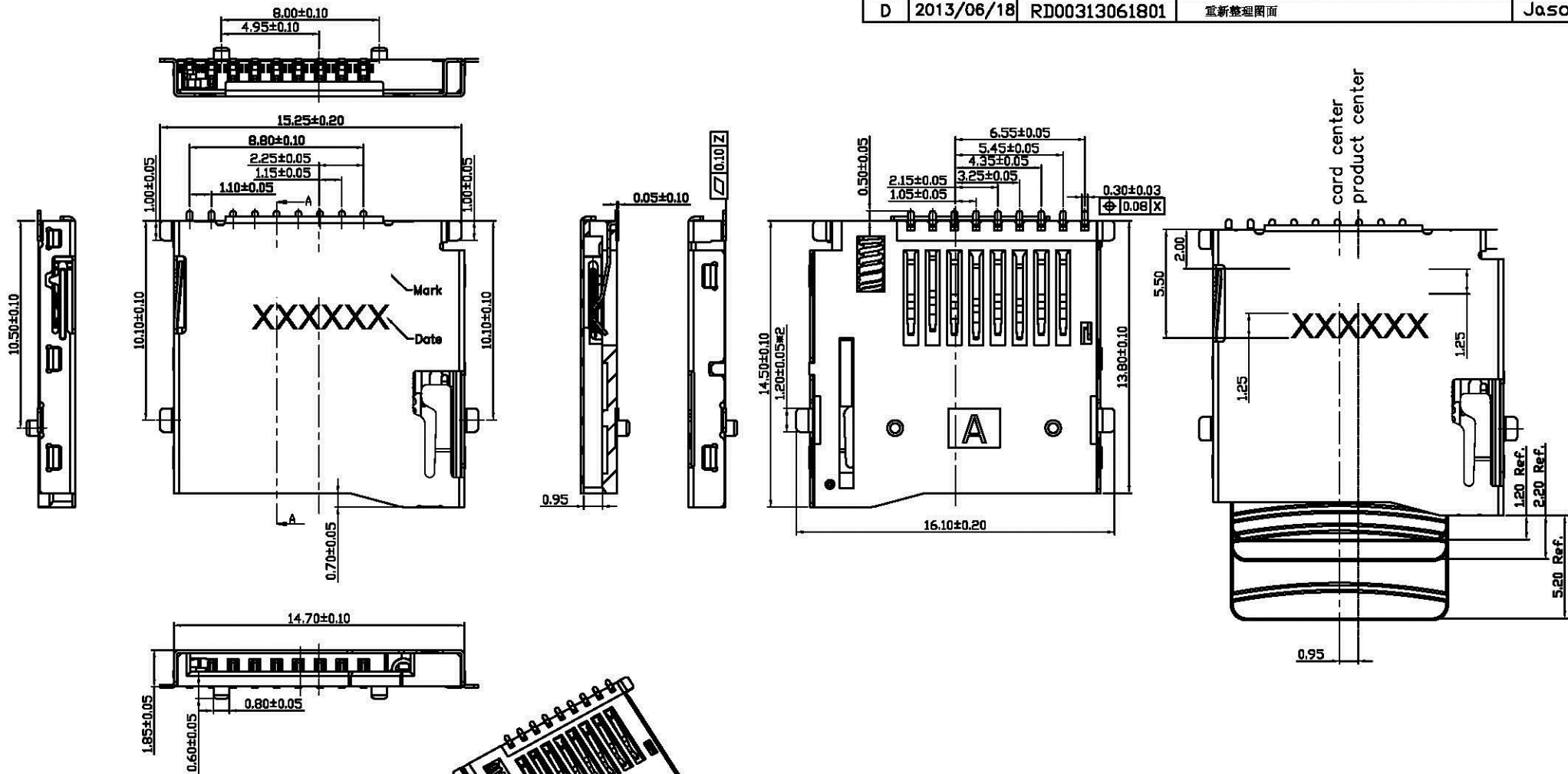


ACAD GENERATED DRAWING, DON'T CHANGE BY HAND

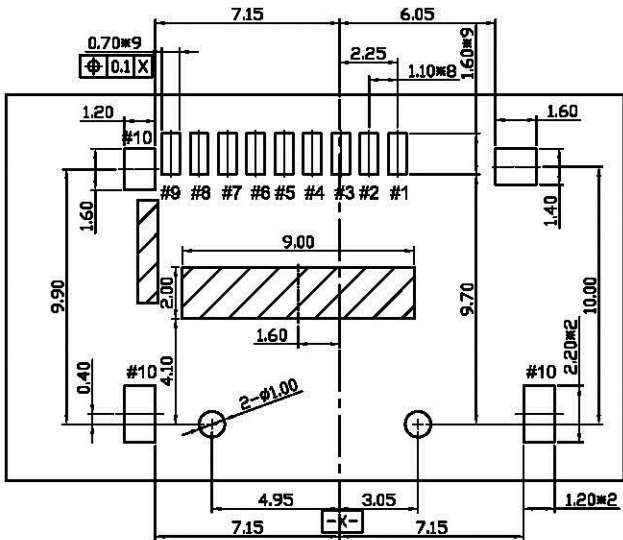
REV	DATE	ECN NO.	MODIFICATION	APPROVER
B	2011/07/15	RD00311071501	调整尺寸公差	Jason
C	2012/06/29	RD00312062901	应业务要求, 新增一种焊脚长度规格	Jason
D	2013/06/18	RD00313061801	重新整理图面	Jason



GENERAL TOLERANCE				UNITS	NAME:	All Connectors			
SELECT	TOL	1	2	3	mm	Micro sd push conn.	<small> 1. 凡属本公司之零件, 其规格均以本公司之规格书为准。 ALL DIMENSIONS ARE IN MILLIMETERS UNLESS OTHERWISE SPECIFIED. 凡本公司之零件, 其规格均以本公司之规格书为准。 </small>		
DR.					MAT'L	PART NO:	TITLE:		
X.XXX	±0.10	±0.05	±0.15			MR**A-01****	Micro sd push conn.(外屏型)		
X.XX	±0.20	±0.10	±0.25		FINISH	APPD:	DWG NO.		
X.X	±0.30	±0.20	±0.35			Peter	ATOM-A01450		
X	±0.40	±0.30	±0.45		Q'TY	CHKD:	SCALE SHEET REV		
ANGLE	±2°					Jason	1:1 1/2 D		
						DR:	xh		

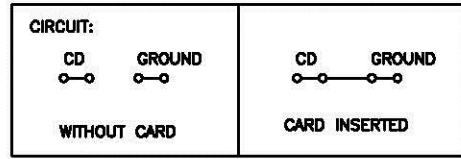
REV	DATE	ECN NO.	MODIFICATION	APPROVER
B	2011/07/15	RD00311071501	调整尺寸公差	Jason
C	2012/06/29	RD00312062901	应业务要求,新增一种焊脚长度规格	Jason
D	2013/06/18	RD00313061801	重新整理图面	Jason

ACAD GENERATED DRAWING. DON'T CHANGE BY HAND



RECOMMENDED PCB LAYOUT
(ALL TOLERANCE ARE ±0.05)

: PROHIBITION AREA



Pin No.	MICRO SD
PIN1	DAT2 1P
PIN2	CD/DAT3 2P
PIN3	CMD 3P
PIN4	VDD 4P
PIN5	CLK 5P
PIN6	VSS 6P
PIN7	DAT0 7P
PIN8	DAT1 8P
PIN9	CARD DETECT
PIN10	GROUND

SPECIFICATION

- Material:
 - housing: LCP, UL94V-0,color:black.
 - orbit: PA46, UL94V-0,color:black.
 - Contacts: Phosphor Bronze, Tin 160u" at Solder Tail, Selected Gold on Contact Area Plating.
 - Shell: Stainless. Pickling
- Electrical Characteristics:
 - Operating voltage : 10V AC(rms)/DC.
 - Current rating : 0.5 A.
 - Operating Temperature: -25°C~+85°C.
 - Insulation resistance: 1000M ohms min. at 250VDC
 - Dielectric withstanding voltage:500 VAC/1minute.
 - Contact resistance: 100m ohms max.
- Mechanical characteristics
 - 3.1 Mating durability:10000 cycles.
 - 3.2 Insertion force: 30N Max.
 - 3.3 Extraction force: 1~30N
 - 3.4 Mating cycle: 10000 cycles at the speed rate of 400-600 cycles/h; Without distortion of plastic and serious wear and tear in terminal, No signal break.

GENERAL TOLERANCE				UNITS	NAME:	ATOM [®] 深圳市爱特姆科技有限公司 SHENZHEN ATOM TECHNOLOGY CO.,LTD.		
SELECT	✓			mm	Micro sd push conn.	PART NO: MR***A-01***		
TOL	1	2	3	MAT'L	APPD: Peter	TITLE: Micro sd push conn.(外焊型)		
DR.				FINISH	CHKD: Jason	DWG NO. ATOM-A01450		
X.XXX	±0.10	±0.05	±0.15	Q'TY	DR: xh	SCALE SHEET REV		
X.XX	±0.20	±0.10	±0.25			1:1 2/2 D		
X.X	±0.30	±0.20	±0.35					
X	±0.40	±0.30	±0.45					
ANGLE	±2°							