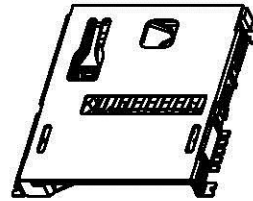
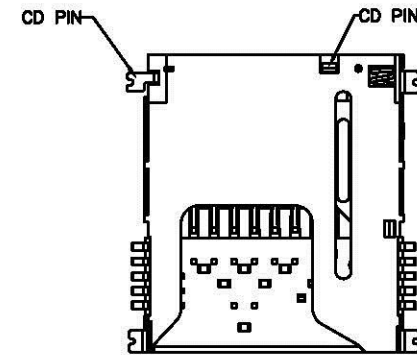
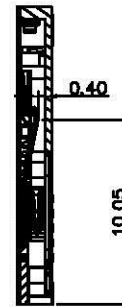
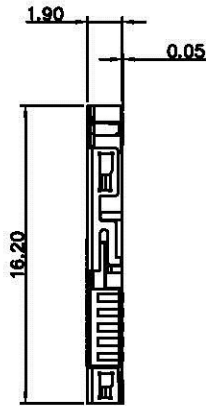
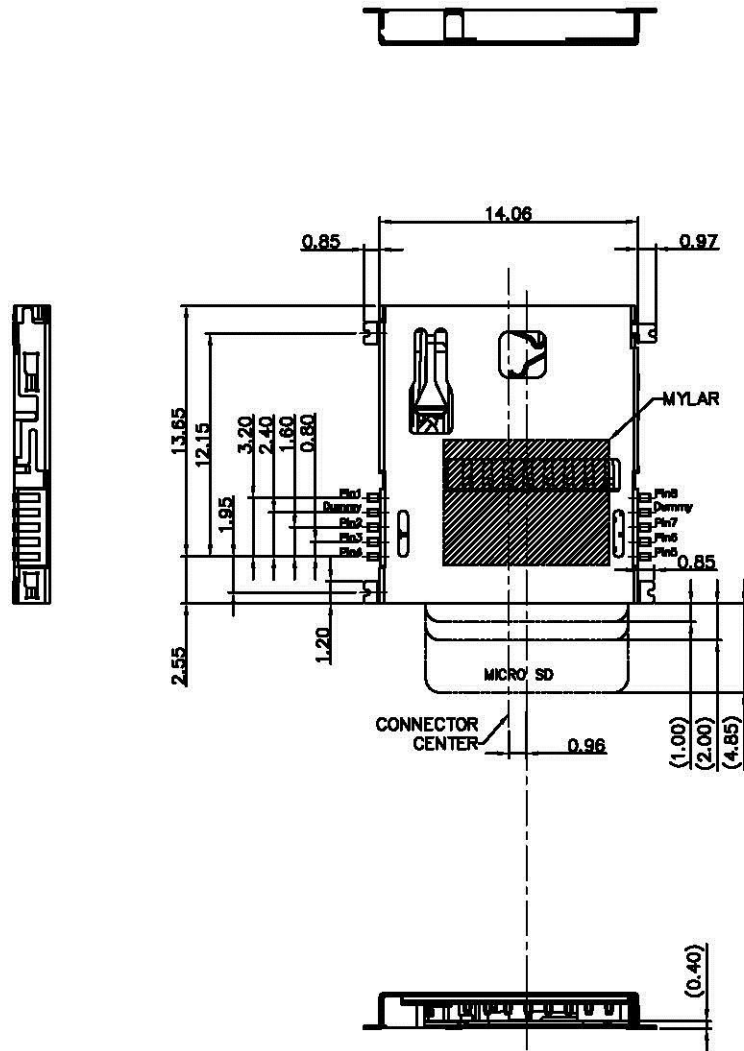
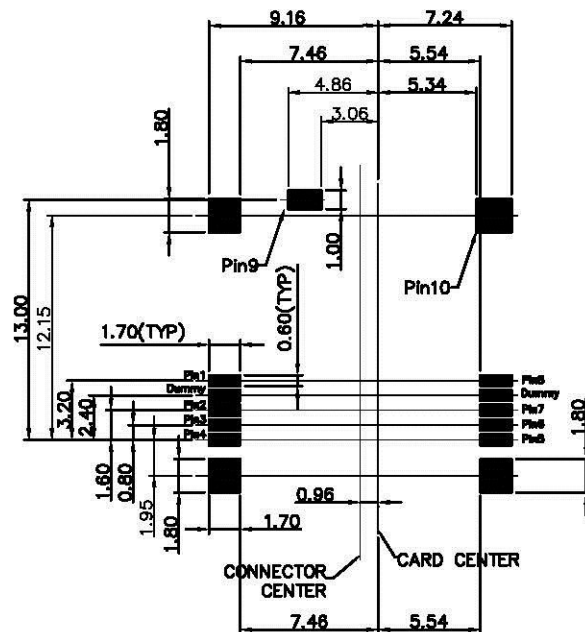


REV	DATE	ECN NO.	MODIFICATION	APPROVER
A	2013/02/23	/	NEW	Jason_Lee
B	2013/05/13	RD00313051301	外壳材质变更, 拉杆结构变更	Jason_Lee



GENERAL TOLERANCE				UNITS	NAME:		Allconnectors
SELECT	TOL	1	2	3	mm	MICRO SD CARD REVERSE	
ON		✓				PART NO:	MRO3B-01***
X.XXX	±0.10	±0.05	±0.15			APPD:	Peter
X.XX	±0.15	±0.10	±0.20			CHKD:	Jason
X.X	±0.20	±0.15	±0.30			DR:	Vicky
X	±0.30	±0.20	±1.00				
ANGLE	±2°						
				MAT'L	TITLE:		CUSTOMER DRAWING FOR MICRO SD CARD REVERSE
				FINISH	DWG NO.		ATOM-A01120
				Q'TY	SCALE		1:1
					SHEET		1/2
					REV		B

Pin No.	MICRO SD	
PIN1	DAT2	1P
PIN2	CD/DAT3	2P
PIN3	CMD	3P
PIN4	VDD	4P
PIN5	CLK	5P
PIN6	VSS	6P
PIN7	DAT0	7P
PIN8	DAT1	8P
PIN9	CARD DETECT	
PIN10	CARD DETECT	



- Material:
 - 1.1 Insulator: HIGH TEMP. PLASTIC, rated UL94V-0,color:black.
 - 1.2 Terminal: Copper Alloy, Gold/Ni Plating.
 - 1.3 Latch: Stainless Steel.
 - ① 1.4 Shell: Stainless steel, Gold/Flash at Solder Tail.
- Mechanical and Electrical performance:
 - 2.1 Mating Cycles: 5000 cycles(speed:400~600 cycles/h).
 - 2.2 Rating current:0.5A Max.
 - 2.3 Insulation resistance: 1000MΩ Min. at 500 V DC.
 - 2.4 Terminal contact resistance: 100mΩ Max.
 - 2.5 Withstanding voltage:250V AC at 1mA Max. for 1 minute.
- Environment performance.
 - 3.1 Operating temperature: -20℃~ +70℃
 - 3.2 Storage temperature: -40℃~ +85

GENERAL TOLERANCE				UNITS	NAME:		All Connectors									
SELECT	✓			mm	MICRO SD CARD REVERSE		<small> MICRO CONNECTORS INC. 8000 JINBAO ROAD, SHANGHAI, CHINA 上海连接器有限公司 8000 锦包路, 上海, 中国 200500 TEL: +86 21 5912 1000 FAX: +86 21 5912 1001 E-MAIL: SALES@ALLCONNECTORS.COM WWW.ALLCONNECTORS.COM </small>									
ON.	TOL	1	2	3	MATL	PART NO:	TITLE: CUSTOMER DRAWING FOR MICRO SD CARD REVERSE									
X.XXX	±0.10	±0.05	±0.15		FINISH	APPD: Peter	DWG NO. ATOM-A01120									
X.XX	±0.15	±0.10	±0.20		Q'TY	CHKD: Jason	<table border="1"> <tr> <td rowspan="2"> </td> <td>SCALE</td> <td>SHEET</td> <td>REV</td> </tr> <tr> <td>1:1</td> <td>2/2</td> <td>B</td> </tr> </table>				SCALE	SHEET	REV	1:1	2/2	B
	SCALE	SHEET	REV													
	1:1	2/2	B													
X.X	±0.20	±0.20	±0.3			DR: Vicky										
X	±0.30	±0.30	±1.00													
ANGLE	±2'															