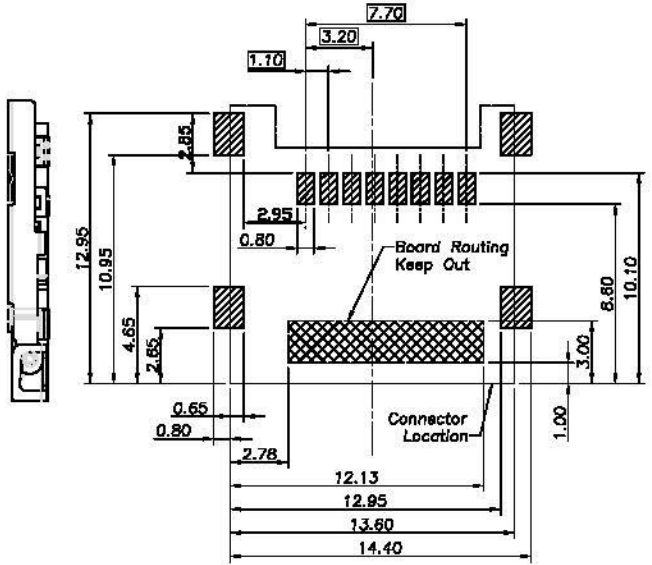
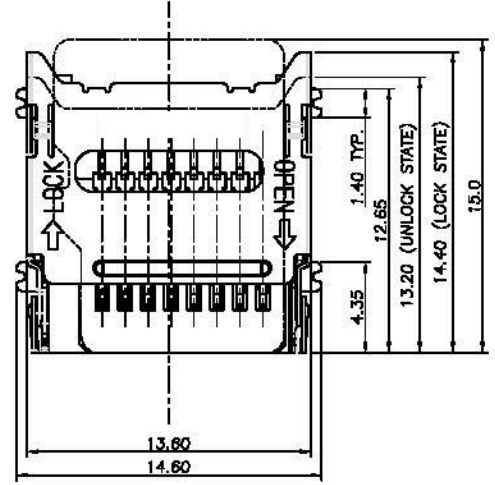


OPEN STATE



RECOMMENDED PCB LAYOUT TOLERANCES: ±0.05mm

MATERIALS

- HOUSING : HI.-TEMP PLASTIC (UL 94V-0).BLACK.
- TERMINAL : COPPER ALLOY.
GOLD PLATED OVERALL (T=0.15).
- FORK : STAINLESS STEEL. (t=0.20mm)
TIN PLATED OVERALL.
- SHELL : STAINLESS STEEL (t=0.20mm)

SPECIFICATION

- CURRENT RATING : 0.5 A MAX.
- DIELECTRIC WITHSTANDING VOLTAGE :
500V AC R.M.S. FOR ONE MINUTE.
- INSULATION RESISTANCE : 1000MΩ MIN. AT 500V DC.
- CONTACT RESISTANCE : 30mΩ MAX.
- OPERATIO TEMPERATURE:-40°C TO +85°C.

112C-T X A R-R02
1 2 3 4

- Type
T:Top mount
3.Stand off Dimension
A:0mm
- Contact plating
B:10u"gold plating
D:Gold Flash
- RoHS

PIN NO.	NAME	TYPE ¹	DESCRIPTION
1	DAT2	I/O/PP	Data Line [bit2]
2	CD/DAT3	I/O/PP	Card Detect Data Line [bit3]
3	CMD	PP	Command Response
4	VDD	S	Supply Votage
5	CLK	I	Clock
6	VSS	S	Supply Voltage Ground
7	DAT0	I/O/PP	Data Line [bit0]
8	DAT1 ²	I/O/PP	Data Line [bit1]

UNLESS OTHERWISE SPECIFIED TOLERANCE

ANGLES	ANG.	±5°
LINEAR	0.	±0.3
	0.0	±0.25
	0.00	±0.20

SCALE AS SHOWN UNIT: mm

DRAWN Willis 2013/07/28

CHECKED Angel 2013/07/28

APPROVED Ken 2013/07/28

All Connectors
www.allconnectors.de info@allconnectors.de
 Tel: +49-411-7095-0 Fax: +49-411-7095-21
 70734 Filzschlößl Germany Rating: A, B, C

DRAWN NAME: Micro SD Socket Hinge Type

PRODUCT NO. 112C-TXAR-R02

FILE NAME 112C-TXAR-R02_B_3

REV.	DESCRIPTION	DATE	REV.	DESCRIPTION	DATE
1			4		
2			5		
3			6		

- Revise:
- Revise:
- Revise:



SIZE A4 REV. 1.0