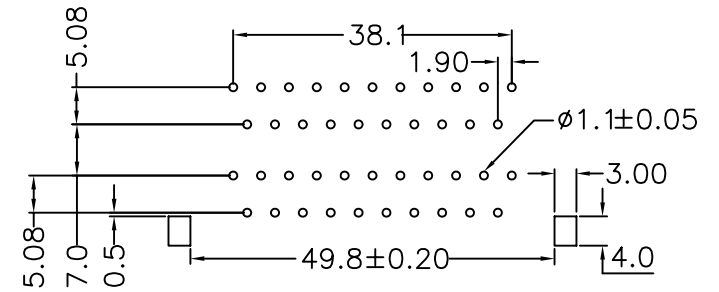
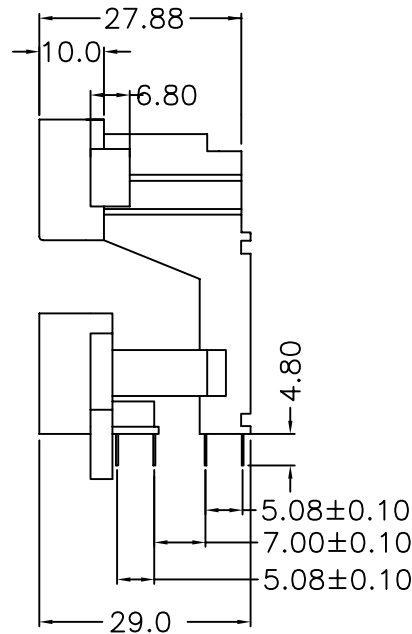
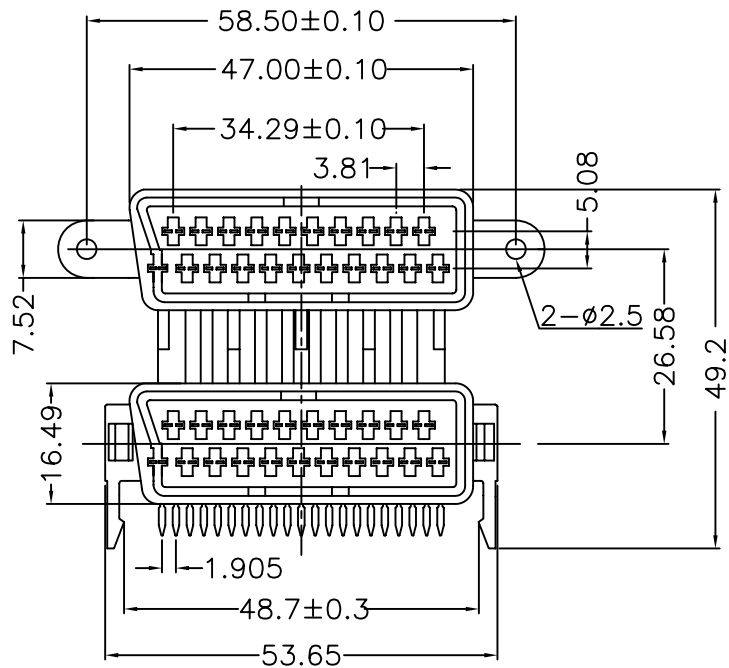
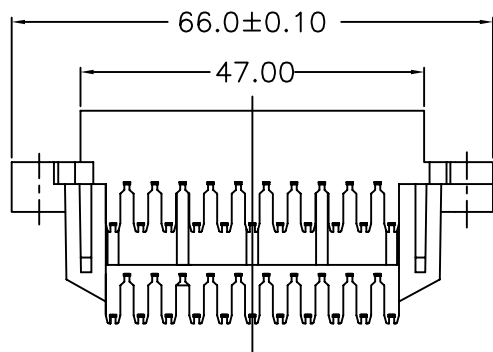


1 2 3 4 5 6 7 8 9 0

J
I
H
G
F
E
D
C
B
A



PCB LAYOUT



NOTES:

1.MATERIAL

- 1.1 Insulator:PC Or ABS
- 1.2 Contact: Brass
- 1.3 Contact Plated: Tin Plated

2.SPECIFICATION

- 2.1 Current Rate:1 Amps
- 2.2 Insulator Resistance:5000M Ohms Min. at 500V DC
- 2.3 Dielectric Strength:1000V Per minute
- 2.4 Operation Temperature:-55°C to+105°C

PART NO. SCB1-SRLER2-21		CHECKED BY CY		TOLERANCES ARE .X±0.3 .XX±0.2 .XXX± AWG	DESCRIP TION: 90度雙層母座分體式PC
DWG NO. SCB1-SRLER2-21		DRAWING BY			
FILE NO.		PROJECTION		AREA	REVISIONS
UNIT / mm		SCALE 1:1	HK		
DATE					

Allconnectors

www.allconnectors.eu | info@allconnectors.eu
Tel. +49 (0)711 / 358 110 20 | Fax +49 (0)711 / 358 110 25