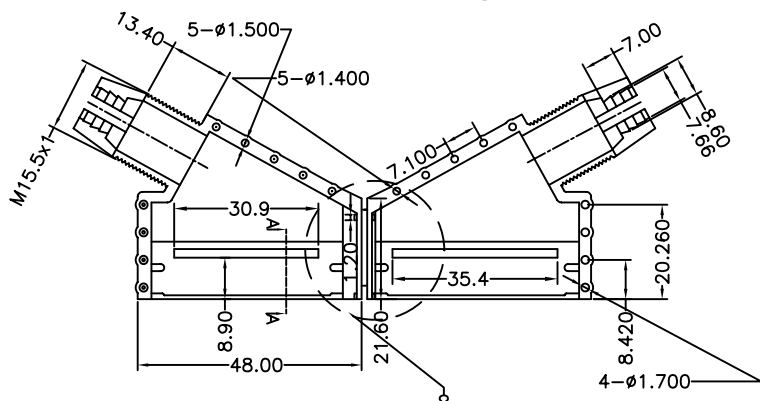
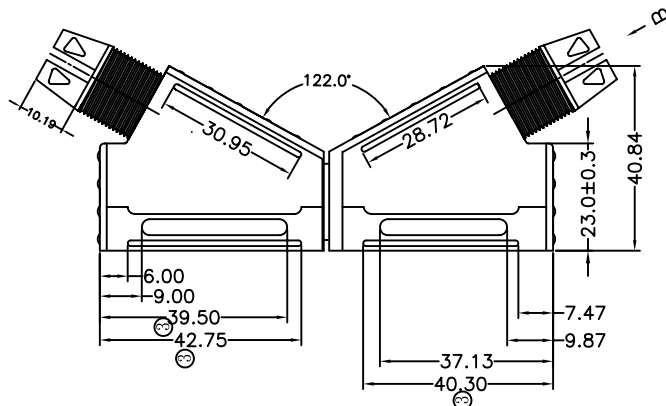
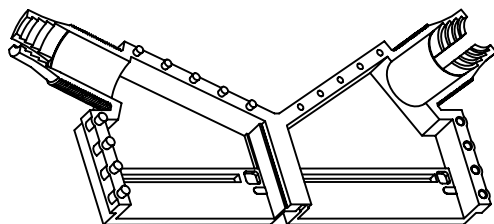
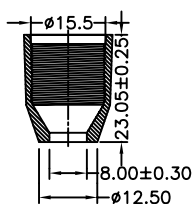
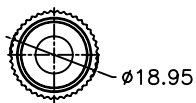


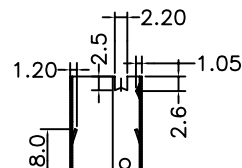
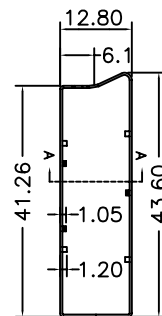
NOTES:
 1.MATERIAL: P.P.
 2.COLOR: BLACK



NOTES:
 1. MATERIAL: P.P.

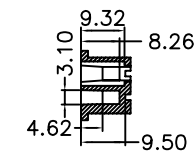
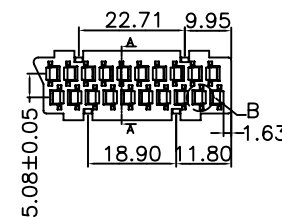
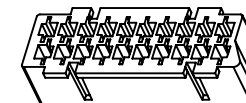


NOTES
 1.MATERIAL:STAINLESS 430# 0.4t.

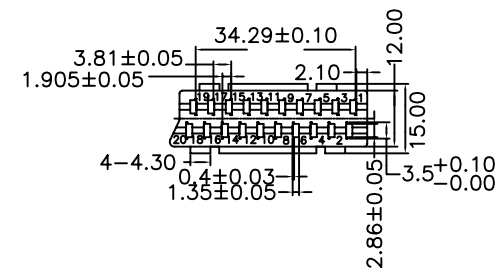
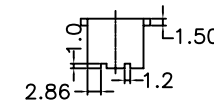
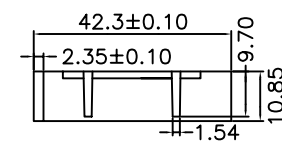


SEC A-A

Insulator
 1.P.C.
 2.P.B.T.



SEC A-A



PART NO. SC-PA-21

DWG NO. SC-PA-21

FILE NO.

UNIT / mm

SCALE 1:1

CHECKED BY CY

DRAWING BY

PROJECTION

TOLERANCES ARE

.X ± 0.2
 .XX ±
 .XXX ±
 AWG

DESCRIPTION:

AREA	REVISIONS	HK	DATE

Allconnectors

www.allconnectors.eu | info@allconnectors.eu
 Tel. +49 (0)711 / 358 110 20 | Fax +49 (0)711 / 358 110 25