

213A-14 X A X-R
1 2 3 4 5

1.No. of Contact
14:1X4

2.Contact Plating
A:Gold Flash
C:5u" Gold Plating
E:15u" Gold Plating
G:30u" Gold Plating

3.EMI Tab
A:with EMI Tab

4.LED
A:Y+G
B:G+Y

5.RoHS

Notes:

Characteristics Description:

1. RJ45 10/100 Base-Tx Transformer Jack With Transformer Impedance Resistor/High Voltage Capacitor.
2. Size Same As RJ-45 Modular Jack To Save PCB Space.
3. Reduce EMI Radiation, Improve EMI Performance.
4. Designed For Network Interface Card Application.
5. Designed To Meet IEEE 802.3u Requirement.
6. Designed For 100 Base Transmission Over UTP-5 Cable.

Electrical Characteristics:

- 1.Insertion Loss: 1-100MHz -1.0dB Max.
1-30MHz -18dB Min. Load 100 Ohms
- 2.Return Loss: 30-80MHz -12dB Min. Load 100 Ohms
- 3.Cross Talk : 30MHz -40dB Typ.
60MHz -35dB Typ.
100MHz -30dB Typ.
- 4.CMRR: 1-50MHz -30dB Typ.
50-130MHz -20dB Typ.
- 5.Turn Ratios: RX=1:1(+/-3%) TX=1:1(+/-3%) .
- 6.Isolation 60Hz: Input To Output 1500Vrms, 60 Seconds
- 7.Primary Inductance: @100KHz 0.1Vrms,8mA DC Bias 350uH Min.

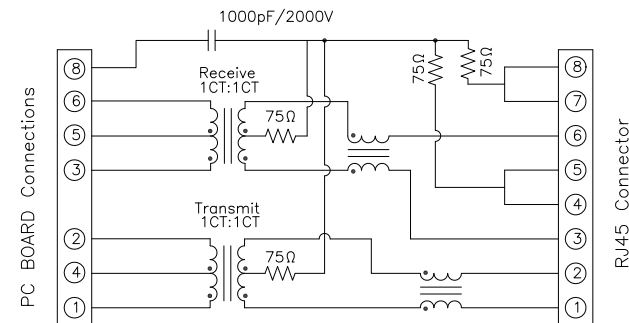
Mechanical:

1. Housing Material: High Temp. UL94V-0
2. Contact Material: Phosphor Bronze T=0.35mm
3. Plating: Gold Plating Over Nickel.
4. Operating Life: 750 Cycles Min.
5. PCB Retention Pre-Solder: 1 LB Min.
6. PCB Retention Post-Solder: 10 LBS Min.

Environmental:

1. Storage: -40°C To +85°C.
 2. Operation: 0°C To +70°C.
 3. Wave Soldering Temperature: 230~250°C (3~5 Seconds)
- Mates With Modular Plug Conforming To FCC Part 68, Subpart F.

Schematic:



PC BOARD Connections

RJ45 Connector

							UNLESS OTHERWISE SPECIFIED TOLERANCE		 <small>www.allconnectors.eu info@allconnectors.eu</small> <small>Tel. +49 (0)711 / 358 110 20 Fax +49 (0)711 / 358 110 25</small>	
							ANG.	±5		
							0.	±0.3		
							.0	±0.25		
							.00	±0.20		
							SCALE:	AS SHOWN	UNIT:	mm
							DRAWN	Willis	2008/6/4	
							CHECKED	/ /	DRAWN NAME: RJ45 Jack Magnetic Type with LED	
							APPROVED	/ /	PRODUCT NO. 213A-14XAX-R	
REV.							DATE	SIZE	REV.	FILE NAME:
DESCRIPTION							A4			213A-14XAX-R