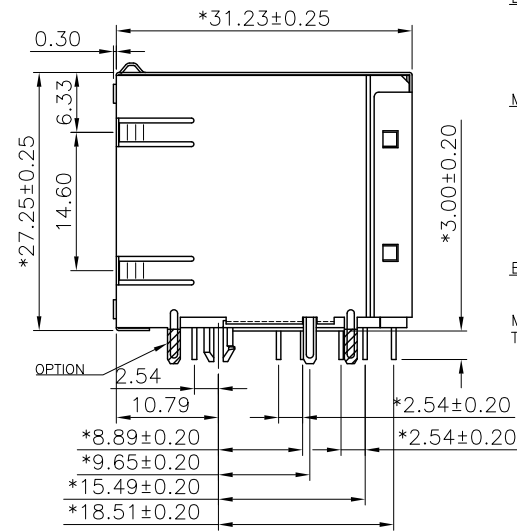
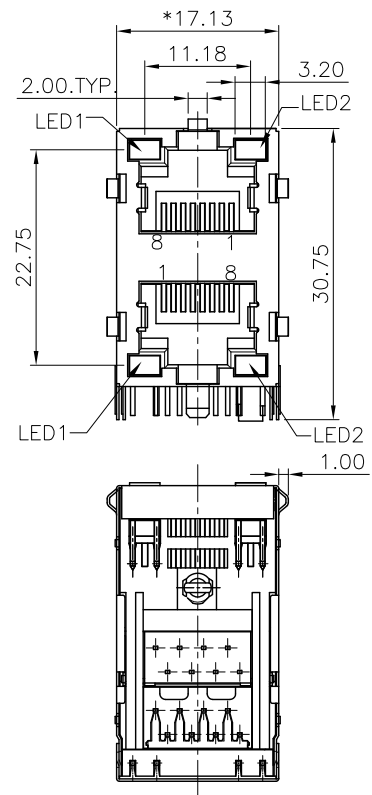
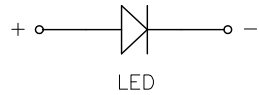


PC Board Layout  
Component Side Shown



NOTES:

- ELECTRICAL:**
- VOLTAGE RATING : 125 VAC RMS.
  - CURRENT RATING : 1.5 AMP.
  - CONTACT RESISTANCE : 50 MILLIOHMS MAX.
  - INSULATION RESISTANCE: 1000 MEGOHMS MIN. @ 500 VDC.
  - DIELECTRIC STRENGTH : 1000 VAC RMS 60Hz, 1MIN.
- MECHANICAL:**
- HOUSING MATERIAL : GLASS FILLED POLYESTER OR HIGH TEMP. UL94V-0.
  - CONTACT MATERIAL : PHOSPHOR BRONZE t=0.35mm
  - PLATING : 1: CONTACT AREA SELECTIVE GOLD PLATING.  
2: TAILS TIN PLATING OVER NICKEL.  
GOLD PLATING OVER NICKEL.
  - OPERATING LIFE : 750 CYCLES MIN.
  - PCB RETENTION PRE-SOLDER : 1 LB MIN.
  - PCB RETENTION POST-SOLDER: 10 LBS MIN.
  - LED SIZE : 3.2\*2.0\*4.0, P=2.54mm
- ENVIRONMENTAL:**
- STORAGE : -40°C TO +85°C.
  - OPERATION: 0°C TO 70°C.
- MATES WITH MODULAR PLUG CONFORMING TO FCC PART 68, SUBPART F.

211A-21 X A X-R  
1 2 3 4 5

- No. of Contact  
21:2X1 Port
- Contact Plating  
A:Gold Flash  
C:5u" Gold Plating  
E:15u" Gold Plating  
G:30u" Gold Plating
- EMI Tab  
A:with EMI Tab
- LED  
A:Y+G  
B:G+Y
- RoHS

UNLESS OTHERWISE SPECIFIED TOLERANCE

ANG.	±5°
0.	±0.3
.0	±0.25
.00	±0.20

SCALE: AS SHOWN UNIT: mm

DRAWN Willis 2008/5/22

CHECKED / /

APPROVED / /

DATE SIZE A4 REV.

**Allconnectors**  
www.allconnectors.eu | info@allconnectors.eu  
Tel. +49 (0)711 / 358 110 20 | Fax +49 (0)711 / 358 110 25

DRAWN NAME:  
RJ45 Jack Shielded Type with LED

PRODUCT NO. 211A-21XAX-R

FILE NAME: 211A-21XAX-R

REV.	DESCRIPTION	DATE	SIZE	REV.
1			A4	