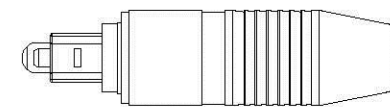
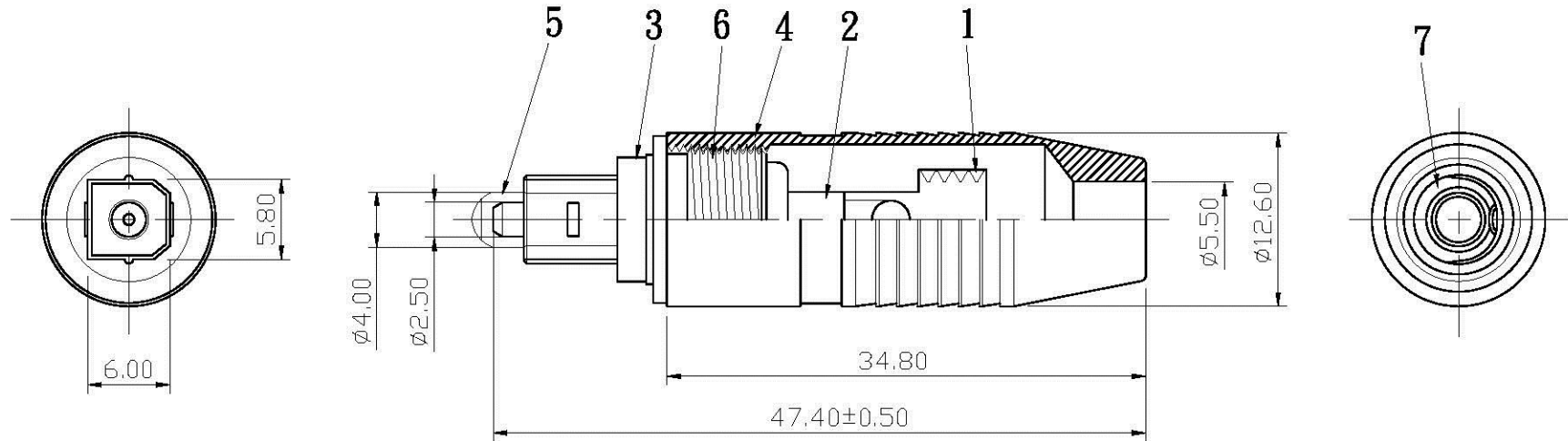


REMARK : RoHS REQUIREMENT APPLIED
(符合RoHS)



S 1 : 1

NO.	Description	Unit	Materials	Finish	Drawing No.	SCALE	2 : 1	UNIT	MM	
7	washer	1	brass	gold		DIMENSIONS ARE IN MILLIMETERS UNLESS OTHERWISE PECIFIED TOLERANCES (一般公差) 0.5~6 = ±0.2 >6~30 = ±0.4 >30~120 = ±0.6 >120~315 = ±1 >315~1000 = ±1.6 ANGLES(角度) = ±5°				
6	body	1	brass	gold						
5	barrel	1	rubber	transparent						
4	shell	1	brass	stain silver						
3	sleeve	1	plastic	black						
2	contact pin	1	brass	gold						
1	clip	1	brass	gold						
						APPROVED	Allconnectors www.allconnectors.de info@allconnectors.de Tel.: 0049 711 7009503 Fax: 0049 711 7009504 70794 Filderstadt - Germany Kettenerstr. 25			
						CHECKED				
						DRAWN <i>Lala</i>				
						DATE 2008. 10. 16				
						TITLE	TOSLINK OPTIC PLUG			
						DRAWING NO.	TOP-203SSG-5.5			
						FILE NO.	DRAWING\AUDIO\TOP\TOP-203SSG-5.5			