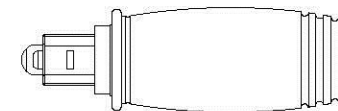
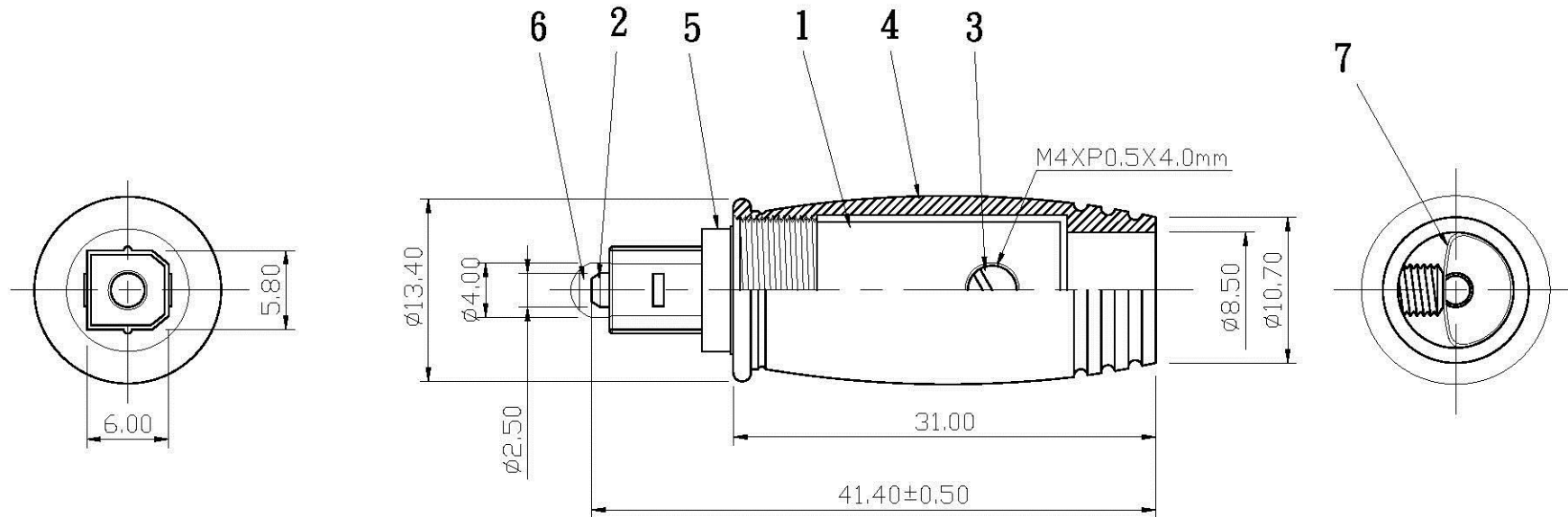


REMARK : RoHS REQUIREMENT APPLIED
(符合RoHS)



S 1 : 1

| NO. | Description | Unit | Materials | Finish | Drawing No. | SCALE | 2 : 1 | UNIT | MM | |
|-----|-------------|------|-----------|--------------|---------------------------------|--|--|------|----|--|
| 7 | ferrule | 1 | plastic | white | | DIMENSIONS ARE IN MILLIMETERS UNLESS OTHERWISE PECIFIED TOLERANCES (一般公差) 0.5~6 = ±0.2 >6~30 = ±0.4 >30~120 = ±0.6 >120~315 = ±1 >315~1000 = ±1.6 ANGLES(角度) = ±5° | | | | |
| 6 | barrel | 1 | rubber | transparent | | | | | | |
| 5 | sleeve | 1 | plastic | black | | | | | | |
| 4 | shell | 1 | brass | stain silver | | | | | | |
| 3 | screw | 1 | brass | gold | SCREW-105G-M4XP0.5X4.0mm(φ 3.8) | | | | | |
| 2 | contact pin | 1 | brass | gold | | | | | | |
| 1 | body | 1 | brass | gold | | | | | | |
| | | | | | | APPROVED | Allconnectors www.allconnectors.de info@allconnectors.de Tel.: 0049 711 7009503 Fax: 0049 711 7009504 70794 Filderstadt - Germany Kettnerstr. 25 | | | |
| | | | | | | CHECKED | | | | |
| | | | | | | DRAWN | | | | |
| | | | | | | DATE | | | | |
| | | | | | | | TITLE | | | |
| | | | | | | | TOSLINK OPTIC PLUG | | | |
| | | | | | | | DRAWING NO. | | | |
| | | | | | | | TOP-201SSG-8.5 | | | |
| | | | | | | | FILE NO. | | | |
| | | | | | | | DRAWING\AUDIO\TOP\TOP-201SSG-8.5 | | | |