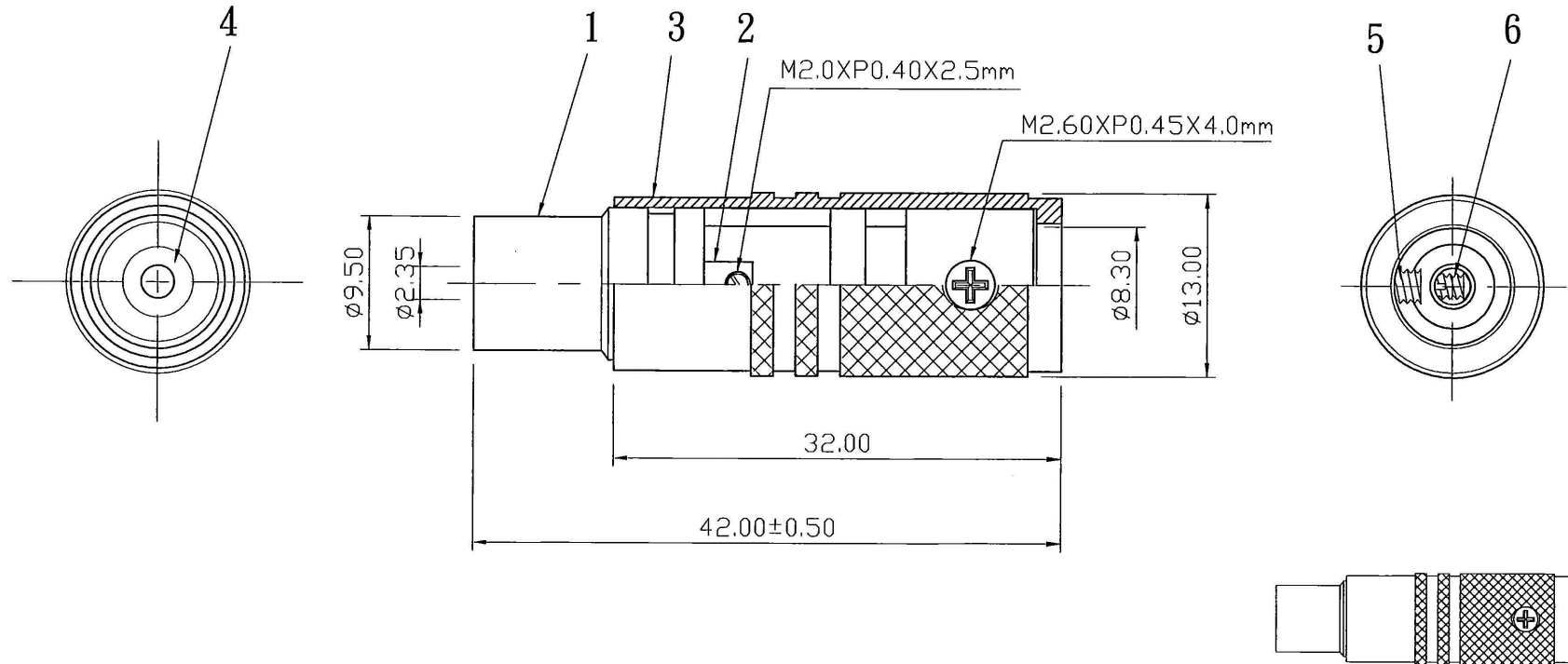


REMARK : RoHS REQUIREMENT APPLIED
(符合RoHS)



S1:1

NO.	Description	Unit	Materials	Finish	Drawing No.	SCALE	UNIT	MM	
7						DIMENSIONS ARE IN MILLIMETERS UNLESS OTHERWISE PECIFIED TOLERANCES (一般公差) 0.5-6 = ±0.2 >6-30 = ±0.4 >30-120 = ±0.6 >120-315 = ±1 >315-1000 = ±1.6 ANGLES(角度) = 15°			
6	screw	1	brass	gold	SCREW-101G-M2XP0.4X2.5mm				
5	screw	1	brass	gold	SCREW-301G-M2.6XP0.45X4.0mm				
4	insulator	1	PTFE	white					
3	shell	1	brass	gold					
2	contact pin	1	brass	gold					
1	body	1	brass	gold					
						CHECKED			
						DRAWN			
						DATE	2007. 10. 08		
						www.allconnectors.de info@allconnectors.de Tel.: 0049 711 7009503 Fax: 0049 711 7009504 70794 Filderstadt - Germany Kettenerstr. 25			
						TITLE TV PLUG			
						DRAWING NO. TV-102GG-TEF-MALE-B-8.3			
						FILE NO. DRAWINGAUDIOVTVTV-102GG-TEF-MALE-B-8.3			