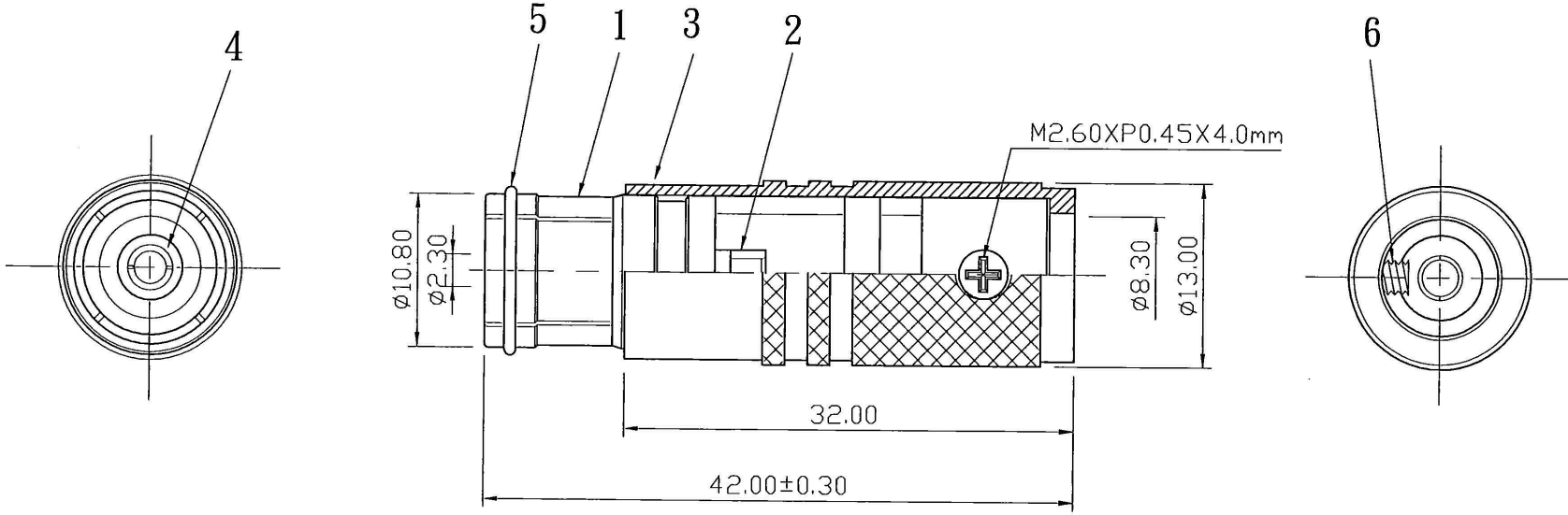
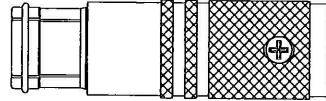


REMARK : RoHS REQUIREMENT APPLIED
(符合RoHS)



圖面
2014-5-12
發行章



S1:1

7						DIMENSIONS ARE IN MILLIMETERS UNLESS OTHERWISE PECIFIED TOLERANCES (一般公差) 0.5~6 = ±0.2 >6~30 = ±0.4 >30~120 = ±0.6 >120~315 = ±1 >315~1000 = ±1.6 ANGLES(角度) = ±5°	CHECKED 				
6	screw	1	brass	gold	SCREW-301G-M2.6XP0.45X4.0mm						
5	C washer	1	brass	gold							
4	insulator	1	PTFE	white							
3	shell	1	brass	gold							
2	contact pin	1	brass	gold							
1	body	1	brass	gold							
NO.	Description	Unit	Materials	Finish	Drawing No.	SCALE	2 : 1	UNIT	MM	DATE	2007. 09. 18

All Connectors
 www.allconnectors.de info@allconnectors.de
 Tel.: 0049 711 7009503 Fax: 0049 711 7009504
 70794 Filderstadt - Germany Kettnerstr. 25

TITLE: TV PLUG

DRAWING NO. TV-102GG-TEF-FEMALE-A-8.3

FILE NO. DRAWING\AUDIO\TV\TV-102GG-TEF-FEMALE-A-8.3