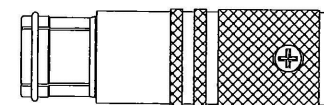
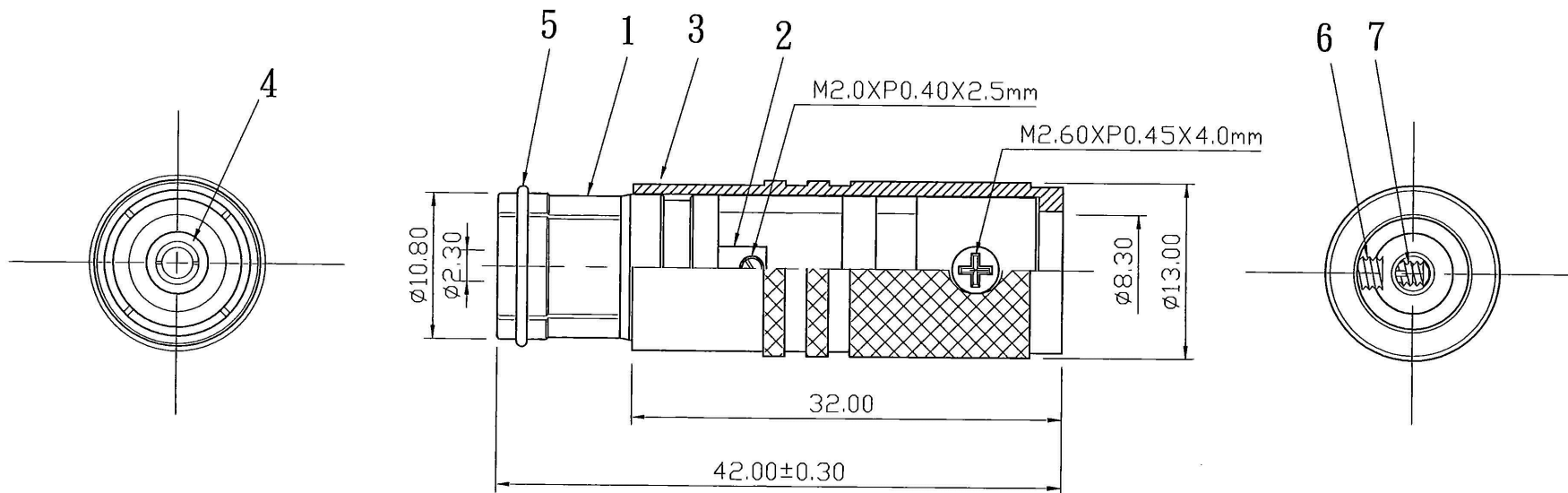


REMARK : RoHS REQUIREMENT APPLIED
(符合RoHS)



S1:1

NO.	Description	Unit	Materials	Finish	Drawing No.	SCALE	2 : 1	UNIT	MM
7	screw	1	brass	gold	SCREW-101G-M2XP0.4X2.5mm	DIMENSIONS ARE IN MILLIMETERS UNLESS OTHERWISE PECIFIED TOLERANCES (一般公差) 0.5~6 = ±0.2 >6~30 = ±0.4 >30~120 = ±0.6 >120~315 = ±1 >315~1000 = ±1.6 ANGLES(角度) = ±5°			
6	screw	1	brass	gold	SCREW-301G-M2.6XP0.45X4.0mm				
5	C washer	1	brass	gold					
4	insulator	1	PTFE	white					
3	shell	1	brass	zinc alloy					
2	contact pin	1	brass	gold					
1	body	1	brass	gold					
					CHECKED				
					DRAWN				
					DATE		2007. 09. 14		
					www.allconnectors.de info@allconnectors.de Tel.: 0049 711 7009503 Fax: 0049 711 7009504 70794 Filderstadt - Germany Kettnerstr. 25				
					TITLE TV PLUG				
					DRAWING NO. TV-101ZAG-TEF-FEMALE-B-8.3				
					FILE NO. DRAWINGAUDIOVTV-101ZAG-TEF-FEMALE-B-8.3				