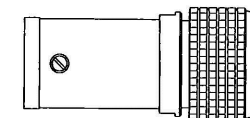
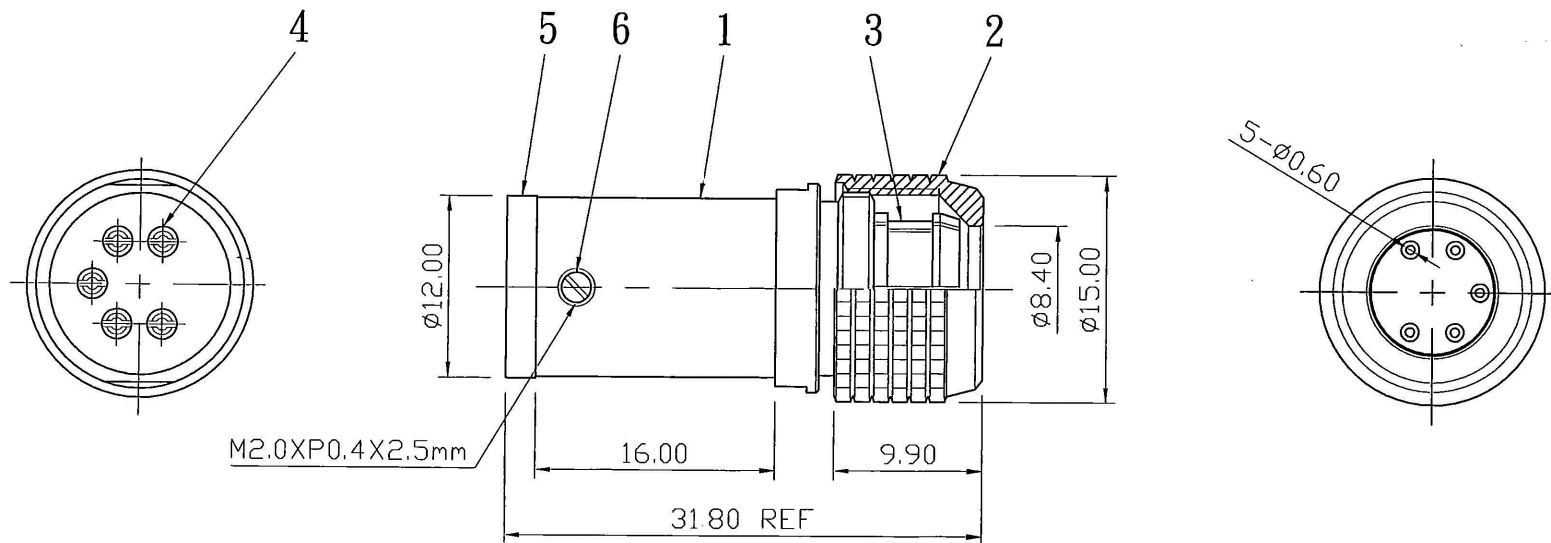


No.	DATE	DESCRIPTION	REV
①	2010. 04. 15	Original dimention M1.7XP0.35X9.0mm	A
②	2010. 04. 21	Original dimention 17.80	B
③	2013. 05. 03	Drawing to renew 圖面更新	C
④	2013. 09. 11	Drawing to renew 圖面更新	D

DATE	DRAWING NO.
2013. 05. 03	DJ-155sbNG-TEF-8.2



S1:1

NO.	Description	Unit	Materials	Finish	Drawing No.
7					
6	screw	1	brass	gold	SCREW-101G-M2.0XP0.4X2.5mm
5	insulator	1	PTFE	white	
4	contact pin	5	brass	gold	
3	clip	1	beryllium copper	gold	
2	cover	1	brass	sandblast chrome	
1	shell	1	brass	sandblast chrome	

DIMENSIONS ARE IN MILLIMETERS			
UNLESS OTHERWISE PECIFIED TOLERANCES (一般公差)			
0.5~6	= ±0.2		
>6~30	= ±0.4		
>30~120	= ±0.6		
>120~315	= ±1		
>315~1000	= ±1.6		
ANGLES(角度) = ±5°			
SCALE	2 : 1	UNIT	MM

CHECKED 研發部經理 2013-10-3 郭姿良
DRAWN Jim
DATE 2010. 03. 02

www.allconnectors.de Tel.: 0049 711 7009503 70794 Filzderstadt - Germany	info@allconnectors.de Fax: 0049 711 7009504 Kettenerstr. 25
TITLE TONEARM CONNECTOR	
DRAWING NO. DJ-155sbCG-TEF-8.2	
FILE NO.	DRAWING\AUDIO\DJ-155sbCG-TEF-8.2