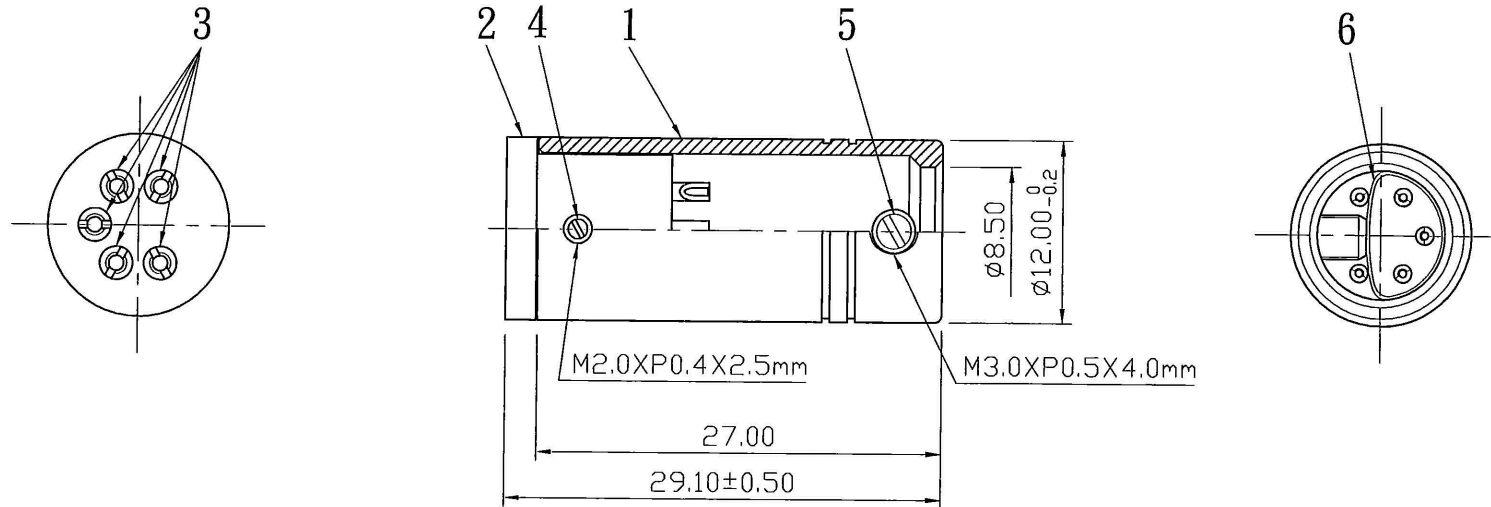



REMARK : RoHS REQUIREMENT APPLIED  
(符合RoHS)



S1:1

NO.	Description	Unit	Materials	Finish	Drawing No.	SCALE	UNIT	MM
7						DIMENSIONS ARE IN MILLIMETERS		
6	sleeve	1	PVC	transparent		UNLESS OTHERWISE PECIFIED TOLERANCES (一般公差)		
5	screw	1	brass	nickel	SCREW-103N-M3.0XP0.5X4.0mm	0.5~6 = $\pm 0.2$		
4	screw	1	brass	nickel	SCREW-101N-M2.0XP0.4X2.5mm	>6~30 = $\pm 0.4$		
3	contact pin	5	tellurium copper	gold		>30~120 = $\pm 0.6$		
2	insulator	1	PTFE	white		>120~315 = $\pm 1$		
1	shell	1	aluminum	clear anodic treatment		>315~1000 = $\pm 1.6$		
						ANGLES(角度) = $\pm 5^\circ$		
						2:1		

CHECKED



2013. 08. 08

DRAWN

Jim

DATE

2013. 08. 08

**All Connectors**

www.allconnectors.de  
Tel.: 0049 711 7009503  
70794 Filderstadt - Germany

info@allconnectors.de  
Fax: 0049 711 7009504  
Kettenerstr. 25

TITLE  
**tonearm connector**

DRAWING NO.  
**DJ-102ALG(Tc)-TEF-8.5**

FILE NO. DRAWING\AUDIO\DJ-102ALG(Tc)-TEF-8.5