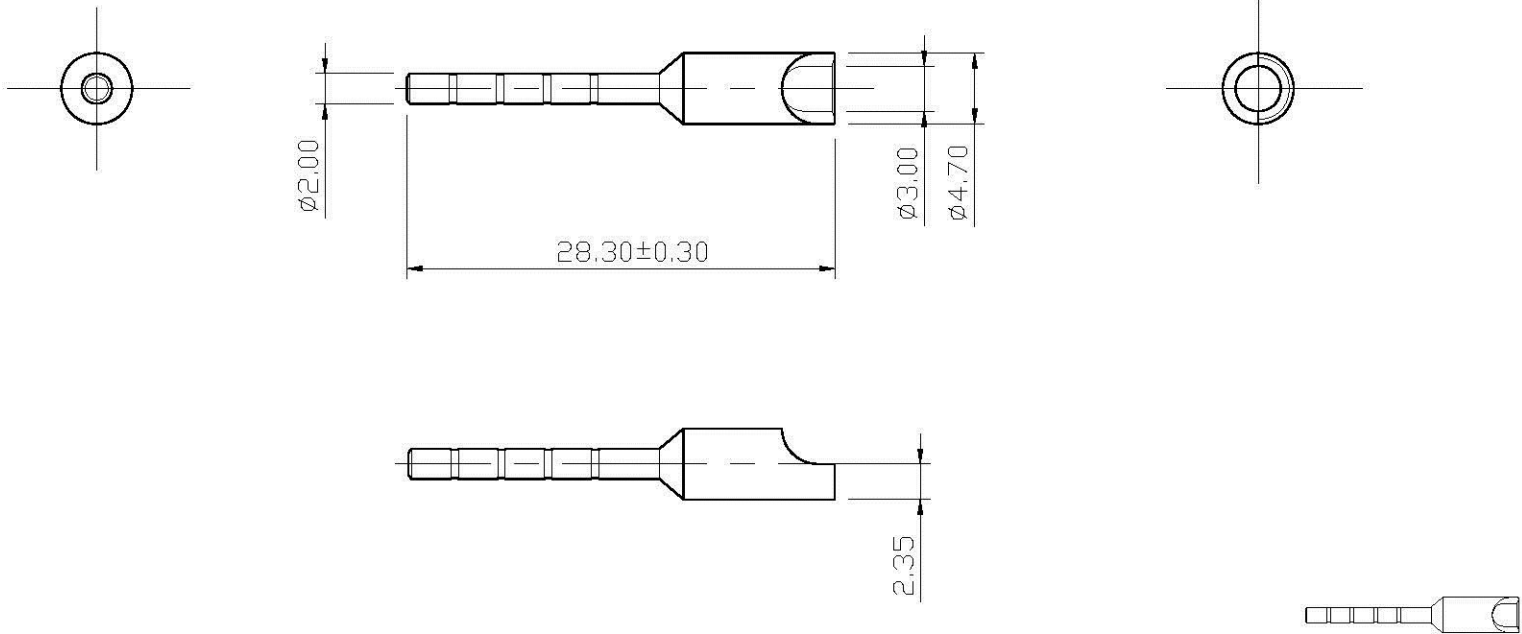



REMARK : RoHS REQUIREMENT APPLIED  
(符合RoHS)



S1 : 1

7						DIMENSIONS ARE IN MILLIMETERS  UNLESS OTHERWISE PECIFIED TOLERANCES (一般公差) 0.5~6 = $\pm 0.2$ >6~30 = $\pm 0.4$ >30~120 = $\pm 0.6$ >120~315 = $\pm 1$ >315~1000 = $\pm 1.6$ ANGLES(角度) = $\pm 5^\circ$	APPROVED	 www.allconnectors.de info@allconnectors.de Tel.: 0049 711 7009503 Fax: 0049 711 7009504 70794 Filderstadt Germany Keilbergstr. 25	
6					CHECKED		TITLE		
5					DRAWN		TIP PLUG		
4					<i>Lala</i>		DRAWING NO.		
3					DATE		TP-201G-3.0		
2					2008. 04. 28		FILE NO.		
1	body	1	brass	gold			DRAWING\AUDIO\TP\TP-201G-3.0		
NO.	Description	Unit	Materials	Finish	Drawing No.	SCALE	2 : 1	UNIT	MM