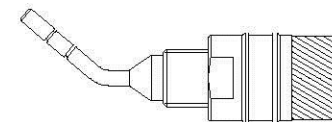
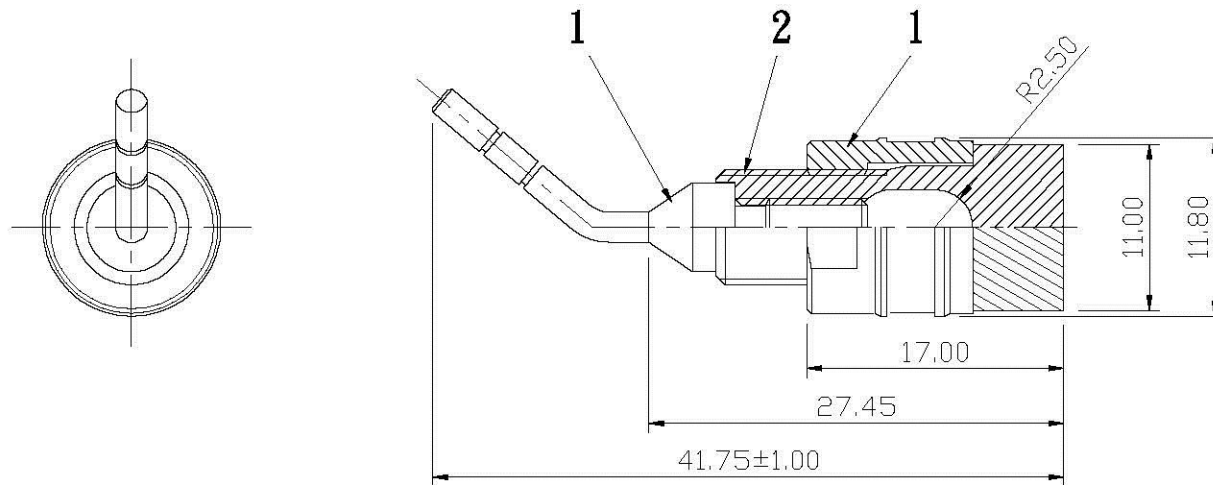



REMARK : RoHS REQUIREMENT APPLIED
(符合RoHS)



S 1 : 1

7						DIMENSIONS ARE IN MILLIMETERS UNLESS OTHERWISE SPECIFIED TOLERANCES (一般公差) 0.5~6 = ±0.2 >6~30 = ±0.4 >30~120 = ±0.6 >120~315 = ±1 >315~1000 = ±1.6 ANGLES(角度) = ±5°	CHECKED	 <small>www.allconnectors.de Tel: 0049 711 2002801 70794 Filzstätt - Germany</small> <small>Info@allconnectors.de Fax: 0049 711 2002504 Kettenerstr. 25</small>
6					DRAWN <i>Otis</i>			
5							DATE 2010. 05. 24	
4							FILE NO. DRAWING\AUDIO\TP\TP-112GG	
3	headlock	1	brass	gold				
2	shell	1	brass	gold				
1	body	1	brass	gold				
NO.	Description	Unit	Materials	Finish	Drawing No.	SCALE 2 : 1	UNIT	MM