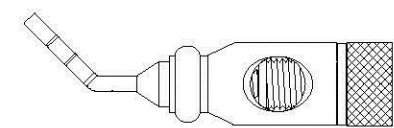
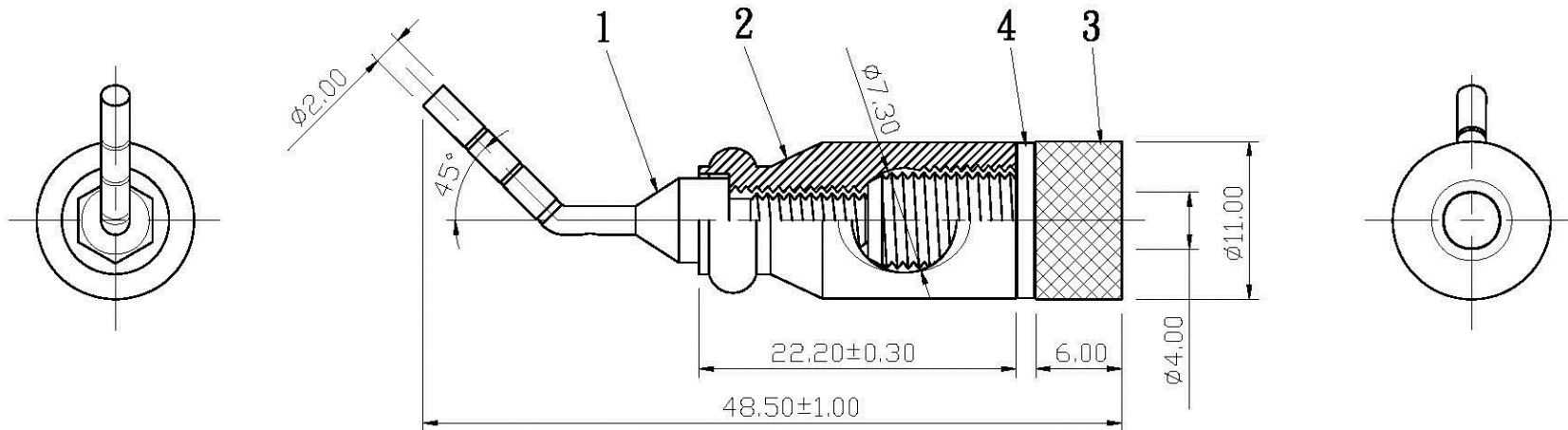


REMARK : RoHS REQUIREMENT APPLIED
(符合RoHS)



S 1 : 1

| | | | | | | | | | |
|-----|-------------|------|-----------|----------------------|-------------|--|--------------|---|--|
| 7 | | | | | | DIMENSIONS ARE IN MILLIMETERS UNLESS OTHERWISE PECIFIED TOLERANCES (一般公差) 0.5~6 = ±0.2 >6~30 = ±0.4 >30~120 = ±0.6 >120~315 = ±1 >315~1000 = ±1.6 ANGLES(角度) = ±5° | APPROVED | www.allconnectors.de Tel.: 0049 711 709503 70734 Hilderstut - Germany | info@allconnectors.de Fax: 0049 711 709504 Kellenmerst. 2b |
| 6 | | | | | CHECKED | | TITLE | | |
| 5 | | | | | | | DRAWN | TIP PLUG | |
| 4 | washer | 1 | plastic | red/black/blue/white | | | <i>Lala</i> | | DRAWING NO. |
| 3 | headlock | 1 | brass | gold | | | | TP-110ZAG-SH7.3-RD/BK/BE/WE-4.0 | |
| 2 | shell | 1 | brass | zinc alloy | | | | FILE NO. | |
| 1 | body | 1 | brass | gold | | | | DRAWING/AUDIO/TP/TP-110ZAG-SH7.3-RD/BK/BE/WE-4.0 | |
| NO. | Description | Unit | Materials | Finish | Drawing No. | SCALE | 2 : 1 | UNIT | MM |
| | | | | | | DATE | 2007. 11. 15 | | |