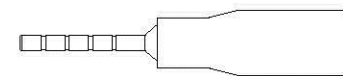
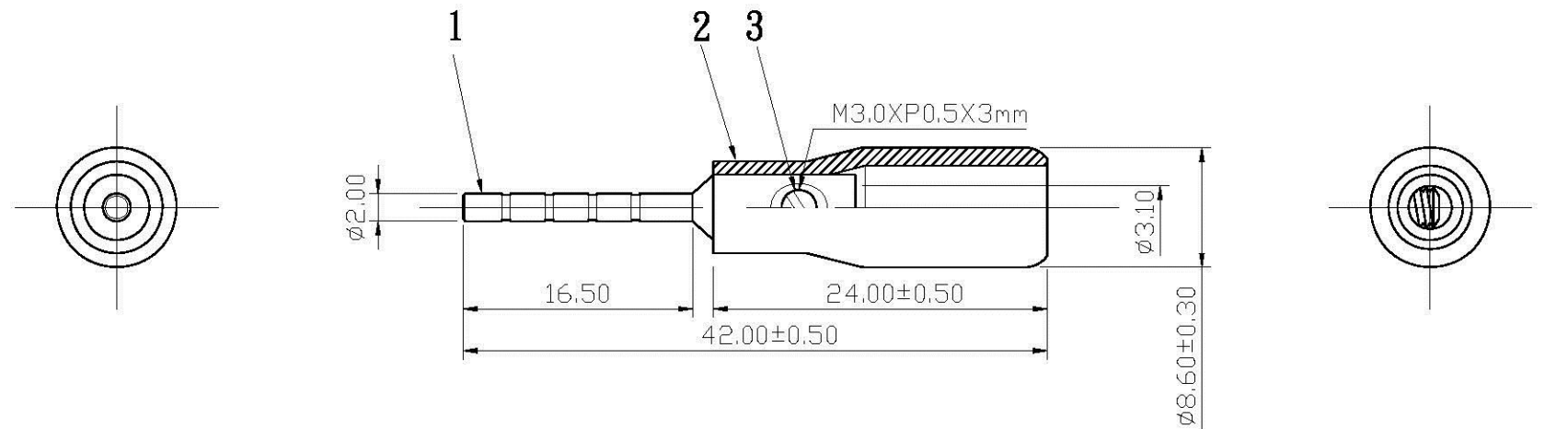



REMARK : RoHS REQUIREMENT APPLIED
(符合RoHS)



S 1 : 1

7						DIMENSIONS ARE IN MILLIMETERS UNLESS OTHERWISE PECIFIED TOLERANCES (一般公差) 0.5~6 = ±0.1 >6~30 = ±0.15 >30~120 = ±0.2 >120~315 = ±0.3 >315~1000 = ±0.4 ANGLES(角度) = ±3°	APPROVED	 www.allconnectors.de Tel.: 0049 711 7009503 70794 Filderstadt - Germany info@allconnectors.de Fax: 0049 711 7009504 Kettenerstr. 25
6					CHECKED		TITLE	
5							DRAWN	TIP PLUG
4							<i>Wing</i>	DRAWING NO.
3	screw	1	brass	gold	SCREW-103G-M3XP0.5X3.0mm		DATE	TP-109RD/BKsoPLG
2	sleeve	1	soft plastic	red/black			2008. 02. 13	FILE NO.
1	body	1	brass	gold				DRAWING/AUDIO/TP/TP-109RD/BKsoPLG
NO.	Description	Unit	Materials	Finish	Drawing No.	SCALE	UNIT	MM