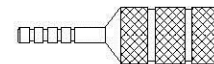
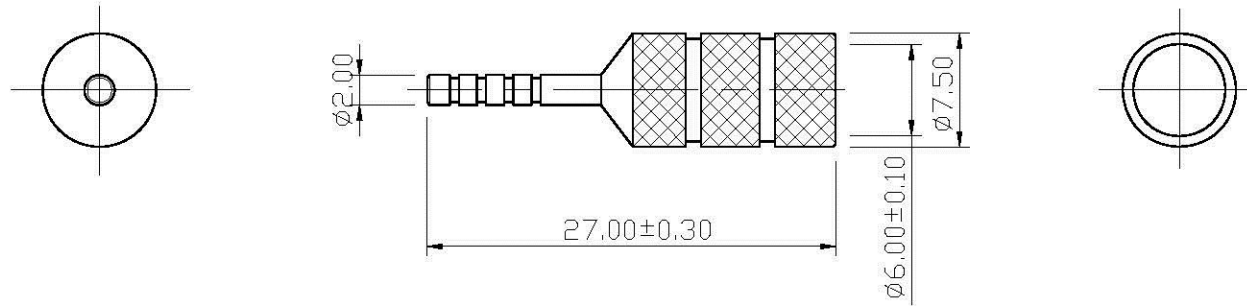



REMARK : RoHS REQUIREMENT APPLIED  
(符合RoHS)



S 1 : 1

7						DIMENSIONS ARE IN MILLIMETERS  UNLESS OTHERWISE PECIFIED TOLERANCES (一般公差) 0.5~6 = $\pm 0.2$ >6~30 = $\pm 0.4$ >30~120 = $\pm 0.6$ >120~315 = $\pm 1$ >315~1000 = $\pm 1.6$ ANGLES(角度) = $\pm 5^\circ$	APPROVED	 www.allconnectors.de Tel.: 0049 711 7000503 70751 Filderstadt - Germany	info@allconnectors.de Fax: 0049 711 7000504 Kellernerstr. 25
6					CHECKED		TITLE		
5							DRAWN	DRAWING NO.	TP-108GG-6.0
4							<i>Lala</i>	FILE NO.	DRAWINGAUDIO\TP\TP-108GG-6.0
3							DATE		
2							2008. 09. 18		
1	body	1	brass	gold					
NO.	Description	Unit	Materials	Finish	Drawing No.	SCALE	2 : 1	UNIT	MM