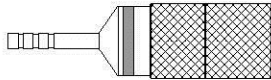
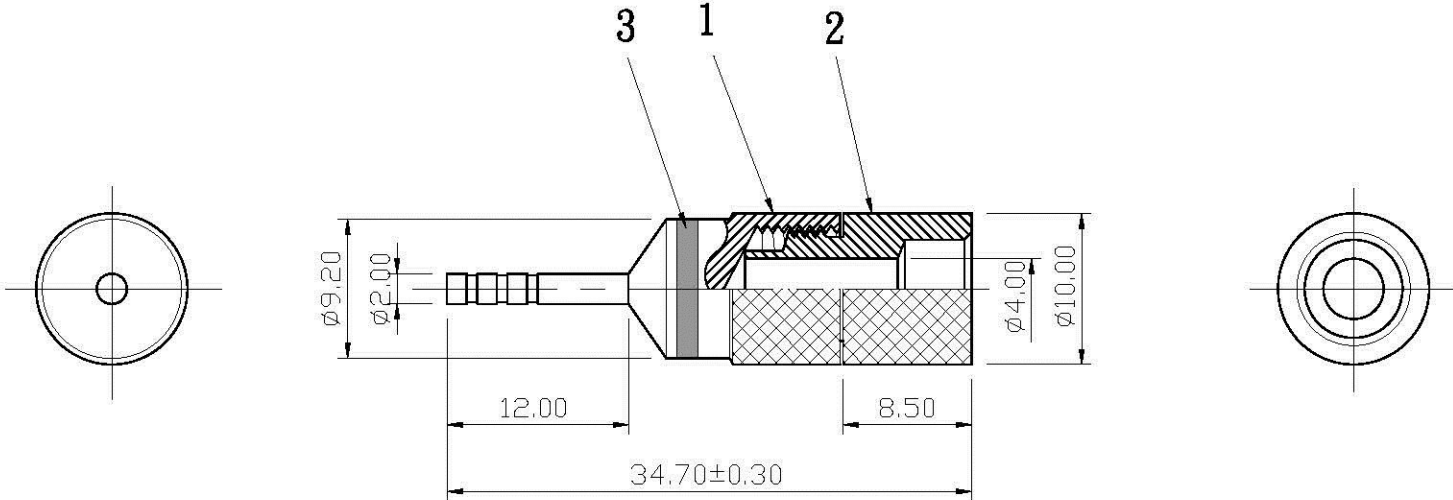



REMARK : RoHS REQUIREMENT APPLIED
(符合RoHS)



S 1 : 1

7						DIMENSIONS ARE IN MILLIMETERS UNLESS OTHERWISE PECIFIED TOLERANCES (一般公差) 0.5~6 = ±0.2 >6~30 = ±0.4 >30~120 = ±0.6 >120~315 = ±1 >315~1000 = ±1.6 ANGLES(角度) = ±5°	APPROVED	 www.allconnectors.de Tel: 0349 711 700503 70794 Eilderstadt - Germany info@allconnectors.de Fax: 0349 711 700504 Kettnerstr. 25			
6					CHECKED		TITLE				
5					DRAWN		TIP PLUG				
4							DRAWING NO.				
3	color ring	1	painting	red/black/blue white/yellow/green			TP-105GG-RD/BK/BE/WE/YW/GN-4.0				
2	headlock	1	brass	gold			FILE NO. DRAWING\AUDIO\TP\TP-105GG-RD/BK/BE/WE/YW/GN-4.0				
1	body	1	brass	gold							
NO.	Description	Unit	Materials	Finish	Drawing No.	SCALE	2 : 1	UNIT	MM	DATE	2007. 09. 18