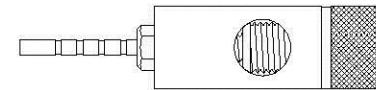
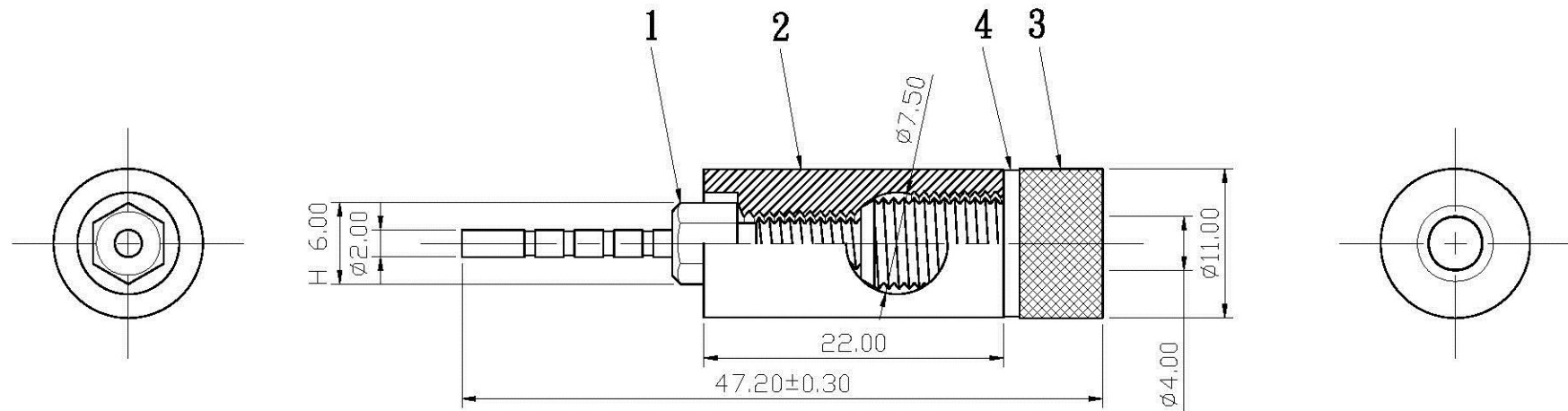



REMARK : RoHS REQUIREMENT APPLIED
(符合RoHS)



S 1 : 1

					DIMENSIONS ARE IN MILLIMETERS			APPROVED		 <small>www.allconnectors.de info@allconnectors.de Tel: 0049 711 7005505 Fax: 0049 711 7005501 70794 Filzstuttl. Germany Kellernstr. 25</small>	
					UNLESS OTHERWISE PECIFIED TOLERANCES (一般公差)			CHECKED			
4	gasket	1	plastic	red/black	0.5~6 = ±0.2			DRAWN Otis		TITLE TIP PLUG	
3	headlock	1	brass	gold	>6~30 = ±0.4					DRAWING NO. TP-101GG-SH7.5-BK/RD-4.0	
2	shell	1	brass	gold	>30~120 = ±0.6			DATE 2008. 02. 14		FILE NO. DRAWING\AUDIO\TP\TP-101GG-SH7.5-BK/RD-4.0	
1	body	1	brass	gold	>120~315 = ±1						
NO.	Description	Unit	Materials	Finish	Drawing No.	SCALE	2 : 1	UNIT	MM		
					>315~1000 = ±1.6						
					ANGLES(角度) = ±5°						