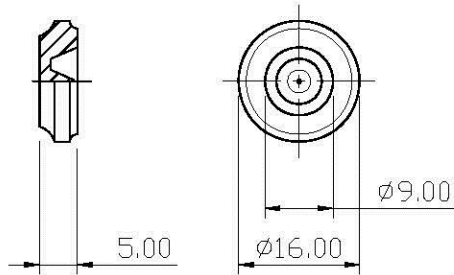
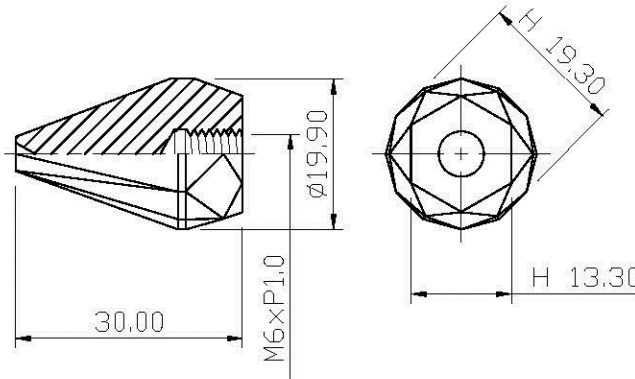


REMARK : RoHS REQUIREMENT APPLIED
(符合RoHS)

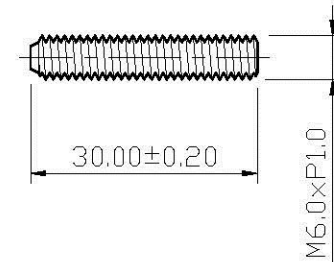
1



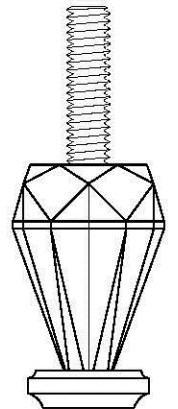
2



3



S 1 : 1



NO.	Description	Unit	Materials	Finish	Drawing No.	SCALE	1 : 1	UNIT	MM	CHECKED	DATE	FILE NO.		
7						DIMENSIONS ARE IN MILLIMETERS UNLESS OTHERWISE PECIFIED TOLERANCES (一般公差) 0.5~6 = ±0.2 >6~30 = ±0.4 >30~120 = ±0.6 >120~315 = ±1 >315~1000 = ±1.6 ANGLES(角度) = ±5°				www.allconnectors.de Tel.: 0049 711 7009503 70794 Filderstadt - Germany	info@allconnectors.de Fax: 0049 711 7009504 Kettenerstr. 25	TITLE	SPIKE	
6					DRAWN							Otis	DRAWING NO.	SPI-401SG
5														
4														
3	screw	1	iron	gold										
2	spike	1	brass	satın gold										
1	plate	1	brass	satın gold										
											2009. 12. 02	DRAWING\AUDIO\SPI\SPI-401SG		