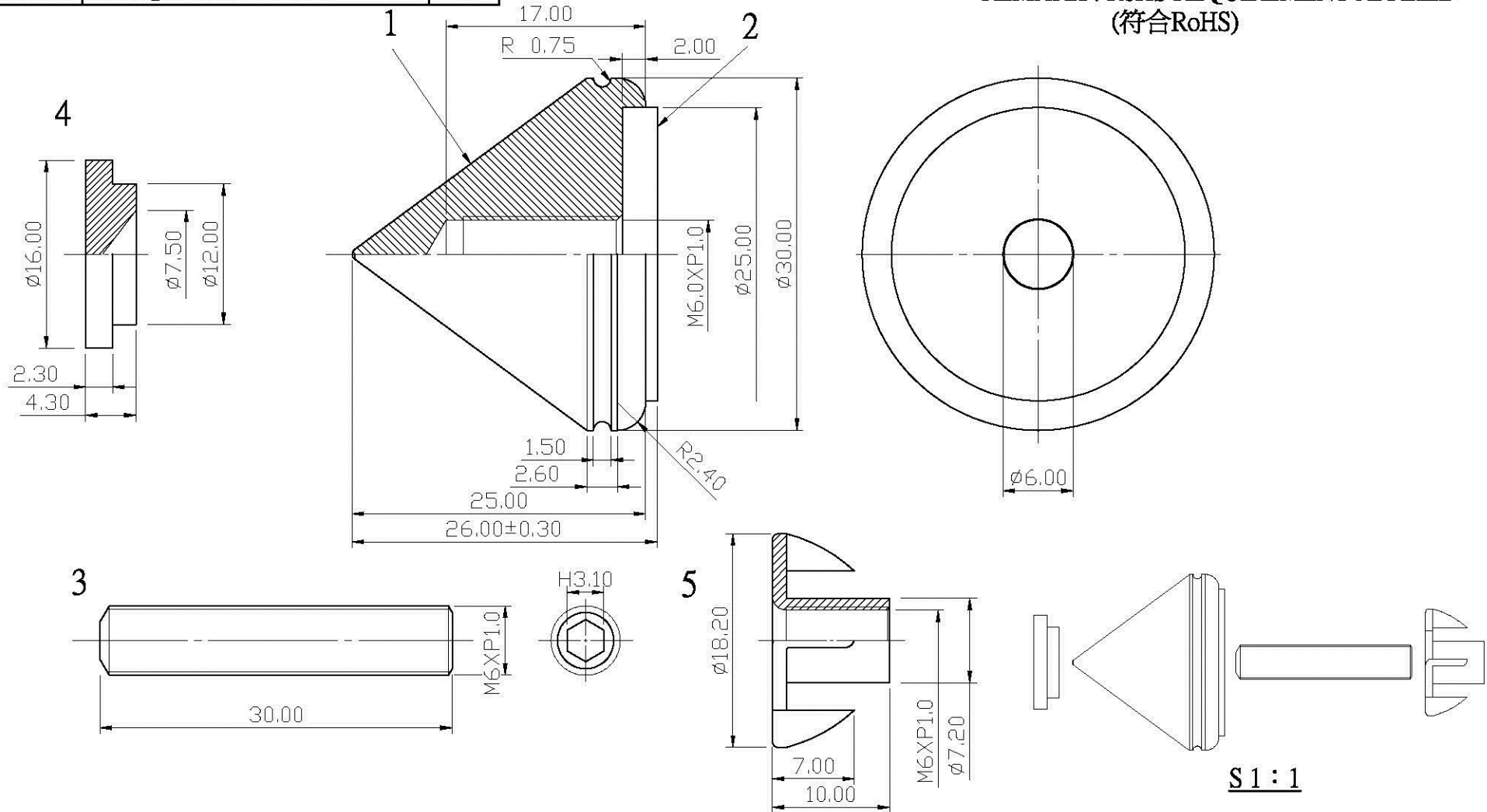


No.	DATE	DESCRIPTION	REV
▲	2012. 06. 26	Drawing to renew 圖面更新	A

REMARK : RoHS REQUIREMENT APPLIED
(符合RoHS)



7						DIMENSIONS ARE IN MILLIMETERS UNLESS OTHERWISE PECIFIED TOLERANCES (一般公差) 0.5-6 = ±0.2 >6-30 = ±0.4 >30-120 = ±0.6 >120-315 = ±1 >315-1000 = ±1.6 ANGLES(角度) = ±5°	CHECKED	 www.allconnectors.com Tel: 0049 711 7005008 70794 Hilberstadt - Germany info@allconnectors.com Fax: 0049 711 7005001 Kettnerstr. 25			
6									TITLE		
5	headlock	1	iron	gold	TN-01				SPIKE		
4	plate	1	brass	gold				DRAWING NO.			
3	screw	1	iron	gold				SPI-210BKFG			
2	plate	1	black carbon fiber	natrue				FILE NO. DRAWING\AUDIO\SPIKE\SPI-210BKFG			
1	spike	1	brass	gold							
NO.	Description	Unit	Materials	Finish	Drawing No.	SCALE	2 : 1	UNIT	MM	DATE	2012. 06. 05