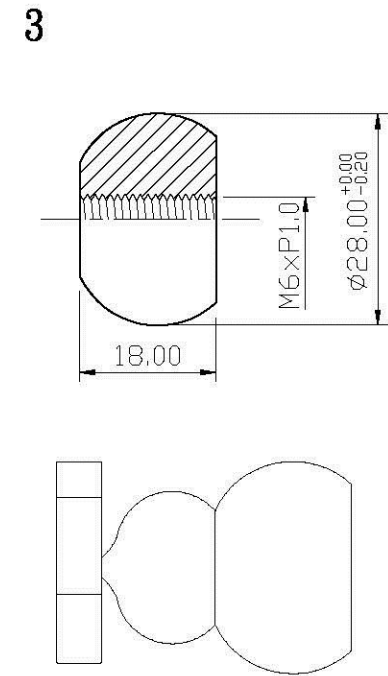
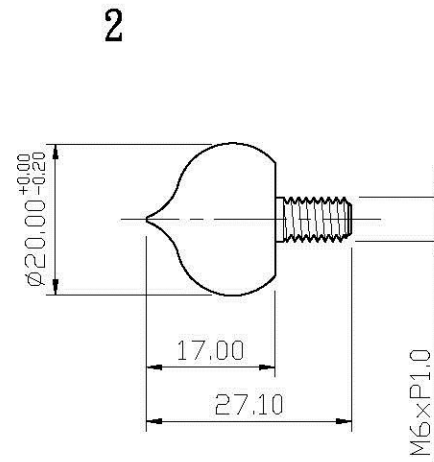
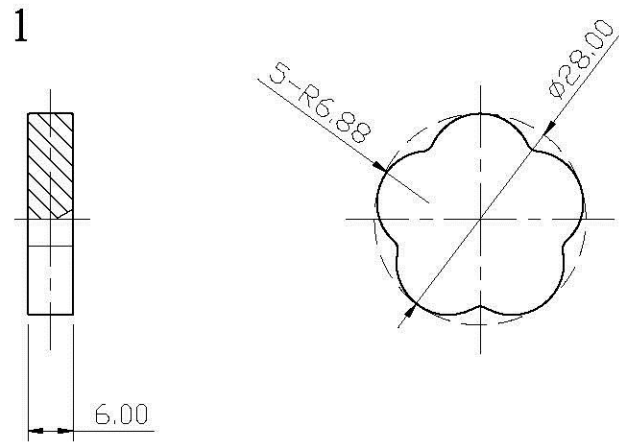



REMARK : RoHS REQUIREMENT APPLIED
(符合RoHS)



S 1 : 1

7						DIMENSIONS ARE IN MILLIMETERS UNLESS OTHERWISE PECIFIED TOLERANCES (一般公差) 0.5~6 = ±0.2 >6~30 = ±0.4 >30~120 = ±0.6 >120~315 = ±1 >315~1000 = ±1.6 ANGLES(角度) = ±5°	CHECKED	 www.allconnectors.de Tel.: 0049 711 7009503 70794 Filderstadt Germany info@allconnectors.de Fax: 0049 711 7009504 Kettelerstr. 25	
6					DRAWN <i>Otis</i>				
5							DATE 2008. 09. 15		
4					TITLE SPIKE				
3	headlock	1	brass	gold	DRAWING NO. SPI-207GG				
2	spike	1	brass	gold	FILE NO. DRAWING\AUDIO\SPIN\SPI-207GG				
1	plate	1	brass	gold					
NO.	Description	Unit	Materials	Finish	Drawing No.	SCALE	1 : 1	UNIT	MM