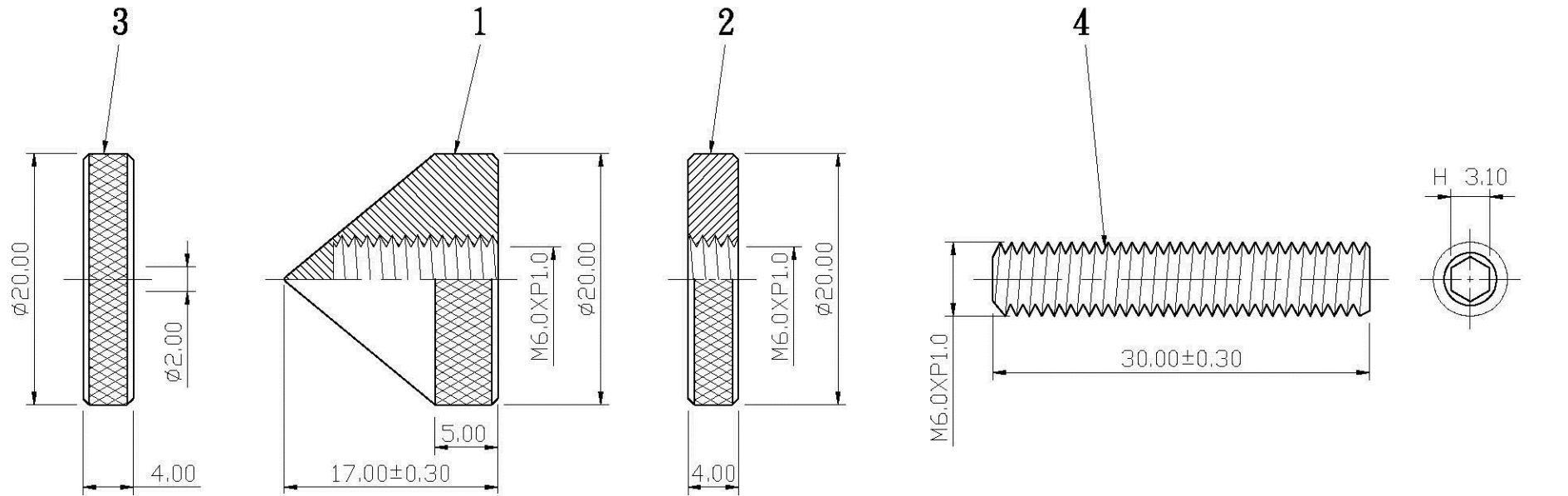


REMARK : RoHS REQUIREMENT APPLIED  
(符合RoHS)



S 1 : 1

| NO.  | Description | Unit | Materials | Finish | Drawing No. | SCALE  | 2 : 1 | UNTT | MM | CHECKED | DATE         | 2007. 09. 13 | FILE NO.                  | DRAWING\AUDIO\SPISPI-204G |
|--|-------------|------|-----------|--------|-------------|--|-------|------|----|---------|--------------|--------------|---------------------------|---------------------------|
| 7  |             |      |           |        |             | DIMENSIONS ARE IN MILLIMETERS<br>UNLESS OTHERWISE PECIFIED TOLERANCES<br>(一般公差)<br>0.5~6 = ±0.2<br>>6~30 = ±0.4<br>>30~120 = ±0.6<br>>120~315 = ±1<br>>315~1000 = ±1.6<br>ANGLES(角度) = ±5° |       |      |    |         |              |              |                           |                           |
| 6  |             |      |           |        |             |  |       |      |    |         |              |              |                           |                           |
| 5  |             |      |           |        |             |  |       |      |    |         |              |              |                           |                           |
| 4  | screw       | 1    | iron      | gold   |             |  |       |      |    |         |              |              |                           |                           |
| 3  | plate       | 1    | brass     | gold   |             |  |       |      |    |         |              |              |                           |                           |
| 2  | plate       | 1    | brass     | gold   |             |  |       |      |    |         |              |              |                           |                           |
| 1  | body        | 1    | brass     | gold   |             |  |       |      |    |         |              |              |                           |                           |
| Allconnectors<br>www.allconnectors.de info@allconnectors.de<br>Tel.: 0049 711 7009503 Fax: 0049 711 7009504<br>70724 Gilderstadt - Germany Kettenerstr. 25 |             |      |           |        |             |  |       |      |    |         | TITLE        | SPIKE        |                           |                           |
| DRAWN  |             |      |           |        |             |  |       |      |    |         | Jim          | DRAWING NO.  | SPI-204G                  |                           |
| DATE   |             |      |           |        |             |  |       |      |    |         | 2007. 09. 13 | FILE NO.     | DRAWING\AUDIO\SPISPI-204G |                           |