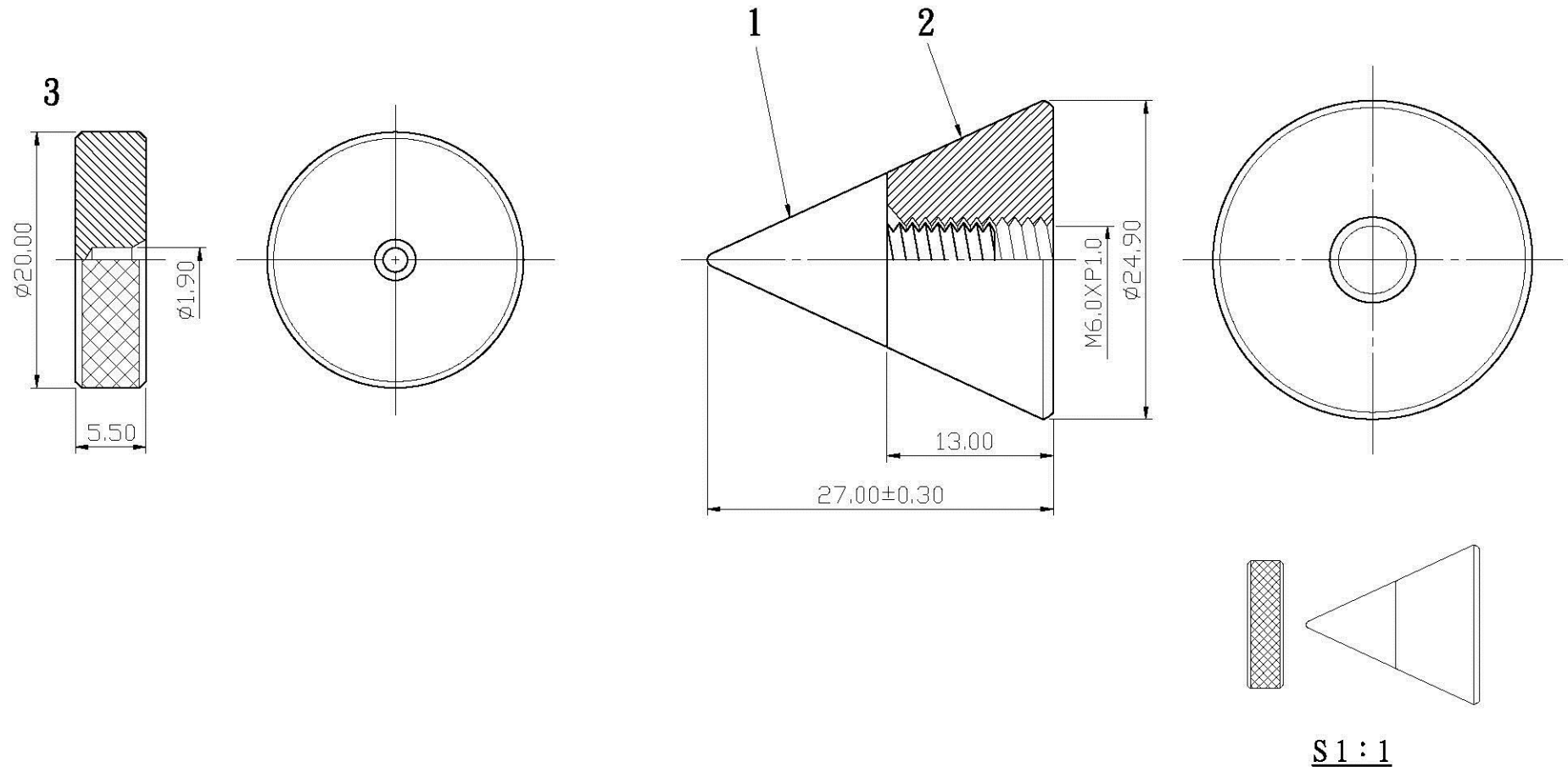



REMARK : RoHS REQUIREMENT APPLIED  
(符合RoHS)



7						DIMENSIONS ARE IN MILLIMETERS  UNLESS OTHERWISE PECIFIED TOLERANCES (一般公差) 0.5~6 = ±0.2 >6~30 = ±0.4 >30~120 = ±0.6 >120~315 = ±1 >315~1000 = ±1.6 ANGLES(角度) = ±5°	CHECKED	 www.allconnectors.de Tel.: 0049 711 7005503 41/46 Bilderstadt Germany info@allconnectors.de Fax: 0049 711 7005504 Kottbamerstr. 21	
6									
5								TITLE	
4									SPIKE
3	plate	1	brass	gold			DRAWN		DRAWING NO.
2	shell	1	brass	gold			<i>Jim</i>		SPI-203G-SMALL
1	body	1	brass	gold			DATE		FILE NO.
NO.	Description	Unit	Materials	Finish	Drawing No.	SCALE	2 : 1	UNIT	MM
								2007. 11. 08	DRAWING\AUDIO\SPI\SPI-203G-SMALL