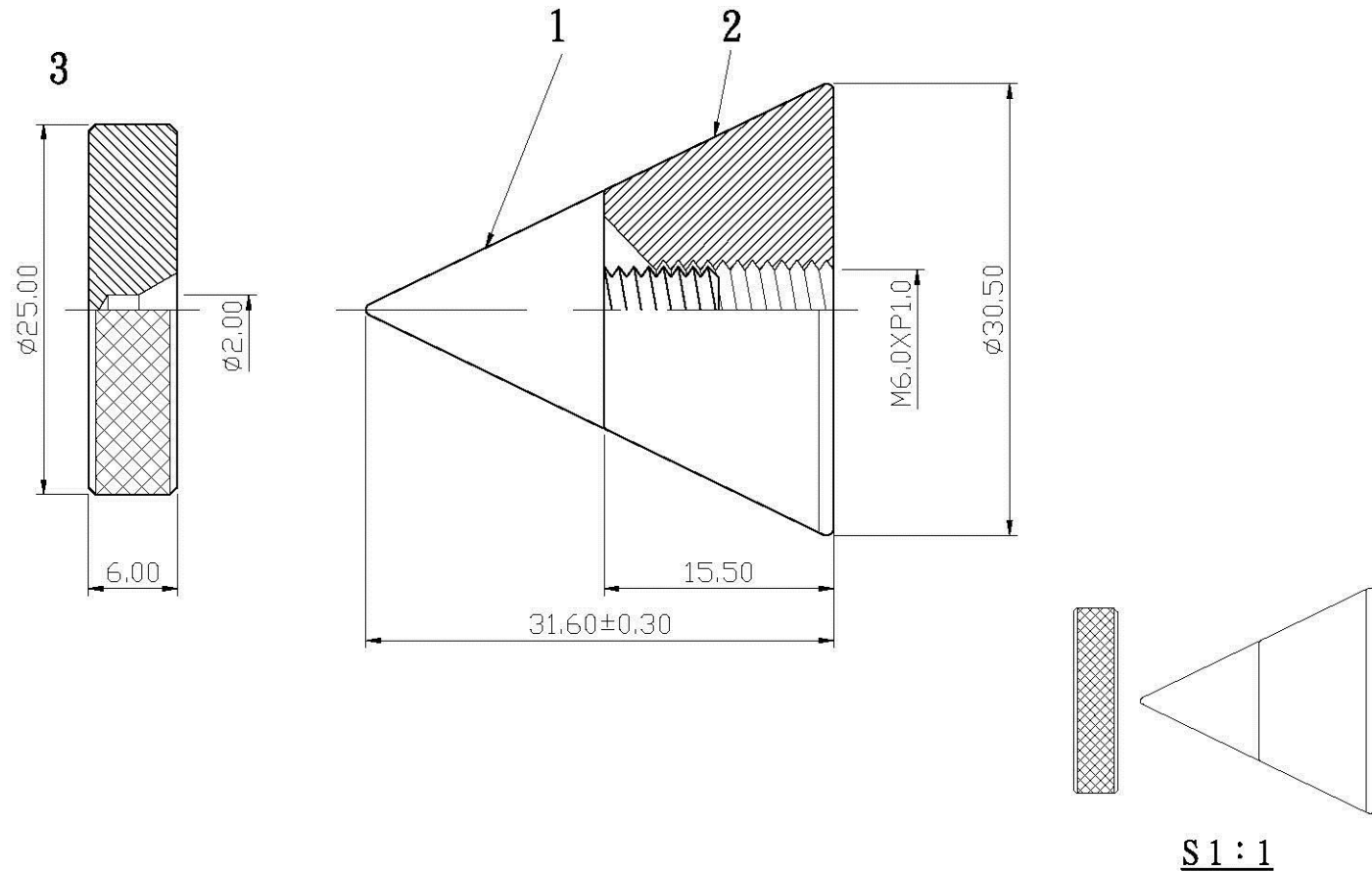



REMARK : RoHS REQUIREMENT APPLIED  
(符合RoHS)



7						DIMENSIONS ARE IN MILLIMETERS  UNLESS OTHERWISE PECIFIED TOLERANCES (一般公差) 0.5~6 = ±0.2 >6~30 = ±0.4 >30~120 = ±0.6 >120~315 = ±1 >315~1000 = ±1.6 ANGLES(角度) = ±5°	CHECKED	 www.allconnectors.de Tel.: 0049 711 7009503 70734 Eilderstadt - Germany info@allconnectors.de Fax: 0049 711 7009504 Kettenerstr. 25	
6					DRAWN		TITLE		
5					<i>Jim</i>		SPIKE		
4					DATE		DRAWING NO.	SPI-203G-BIG	
3	plate	1	brass	gold	2007. 08. 20		FILE NO.	DRAWING\AUDIO\SPISPI-203G-BIG	
2	shell	1	brass	gold					
1	body	1	brass	gold					
NO.	Description	Unit	Materials	Finish	Drawing No.	SCALE	2 : 1	UNIT	MM