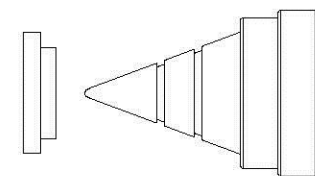
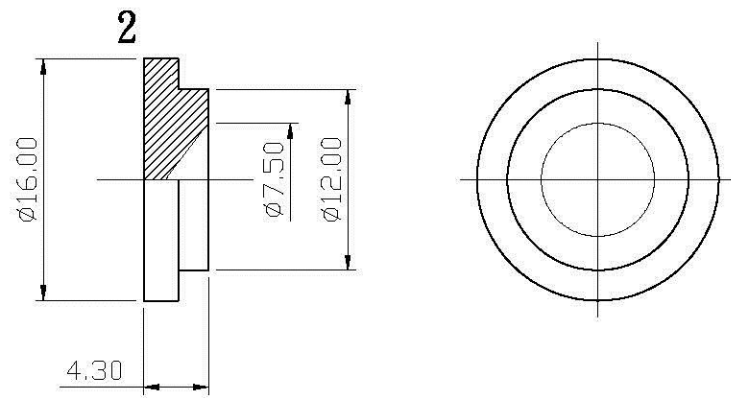
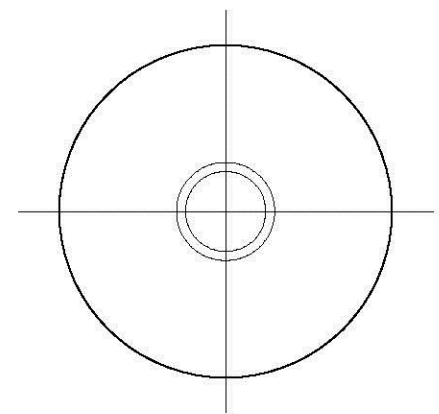
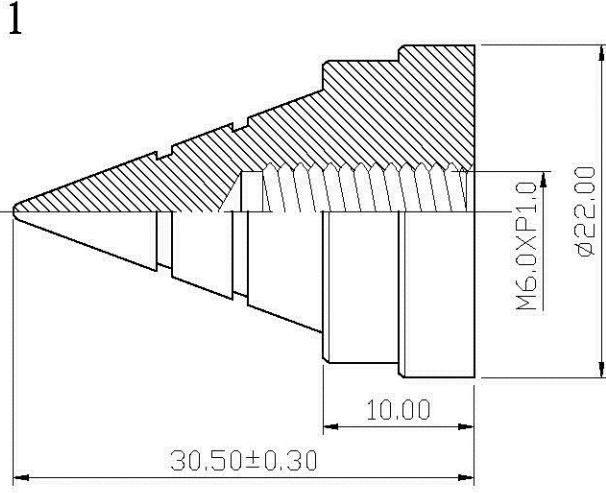
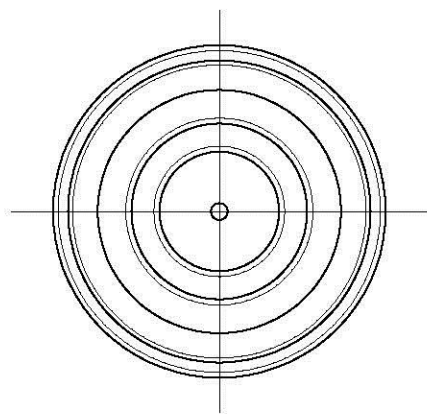



REMARK : RoHS REQUIREMENT APPLIED
(符合RoHS)



S 1 : 1

7						DIMENSIONS ARE IN MILLIMETERS UNLESS OTHERWISE PECIFIED TOLERANCES (一般公差) 0.5~6 = ±0.2 >6~30 = ±0.4 >30~120 = ±0.6 >120~315 = ±1 >315~1000 = ±1.6 ANGLES(角度) = ±5°	CHECKED	 www.allconnectors.de info@allconnectors.de TEL: 0049 711 7095503 FAX: 0049 711 7095504 70794 Filderstadt, Germany Kellenriedl, 25	
6					DRAWN <i>Ben</i>				TITLE SPIKE
5							DATE 2011. 02. 09	DRAWING NO. SPI-202S	
4							FILE NO.	DRAWINGAUDIO\SPISPI-202S	
3									
2	plate	1	brass	silver					
1	spike	1	brass	silver					
NO.	Description	Unit	Materials	Finish	Drawing No.	SCALE	2 : 1	UNIT	MM