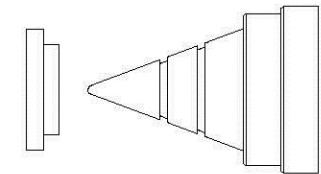
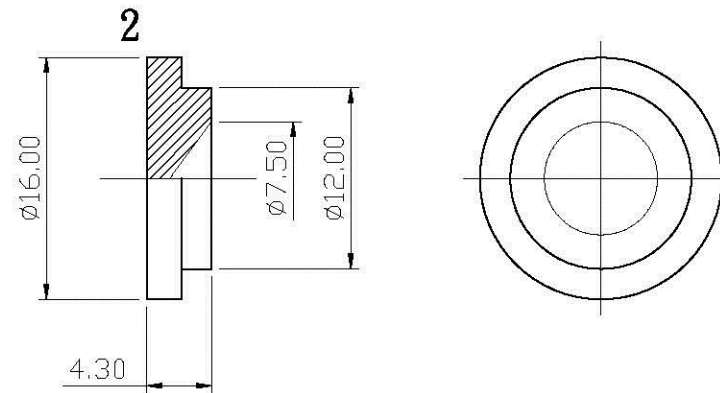
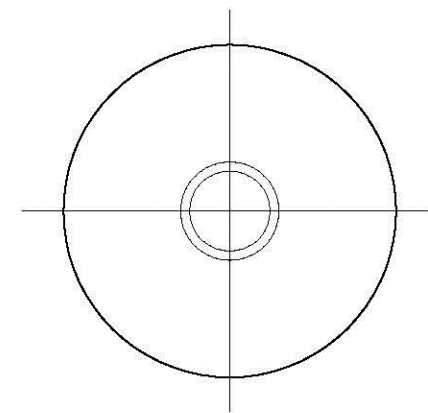
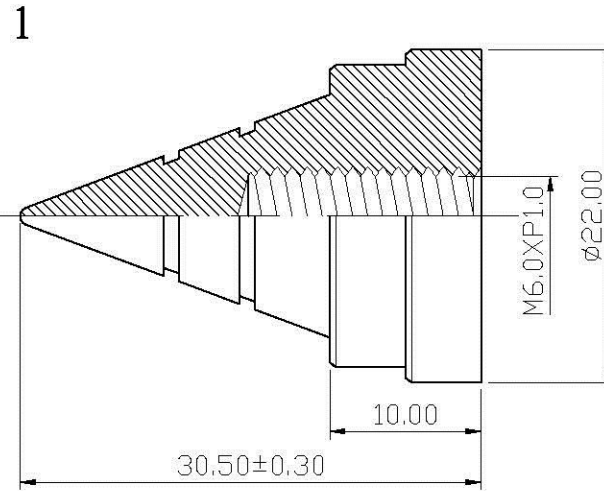
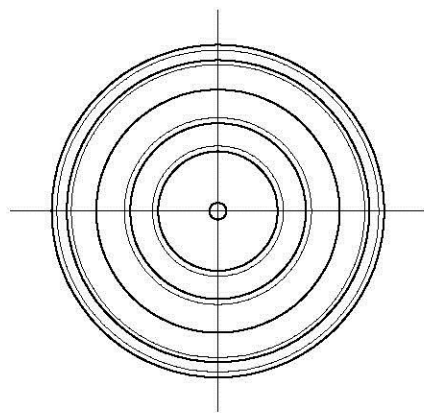



REMARK : RoHS REQUIREMENT APPLIED  
(符合RoHS)



S 1 : 1

7						DIMENSIONS ARE IN MILLIMETERS  UNLESS OTHERWISE PECIFIED TOLERANCES (一般公差) 0.5~6 = ±0.2 >6~30 = ±0.4 >30~120 = ±0.6 >120~315 = ±1 >315~1000 = ±1.6 ANGLES(角度) = ±5°	CHECKED	 www.allconnectors.de Tel.: 0049 711 7000503 70754 Filderstadt - Germany	info@allconnectors.de Fax: 0049 711 7000504 Kettnerstr. 25	
6					DRAWN <i>Tina</i>					TITLE
5								DATE	2008. 01. 08	DRAWING NO.
4									FILE NO.	DRAWINGAUDIO/SPTSPI-202G
3										
2	plate	1	brass	gold						
1	spike	1	brass	gold						
NO.	Description	Unit	Materials	Finish	Drawing No.	SCALE	2 : 1	UNIT	MM	