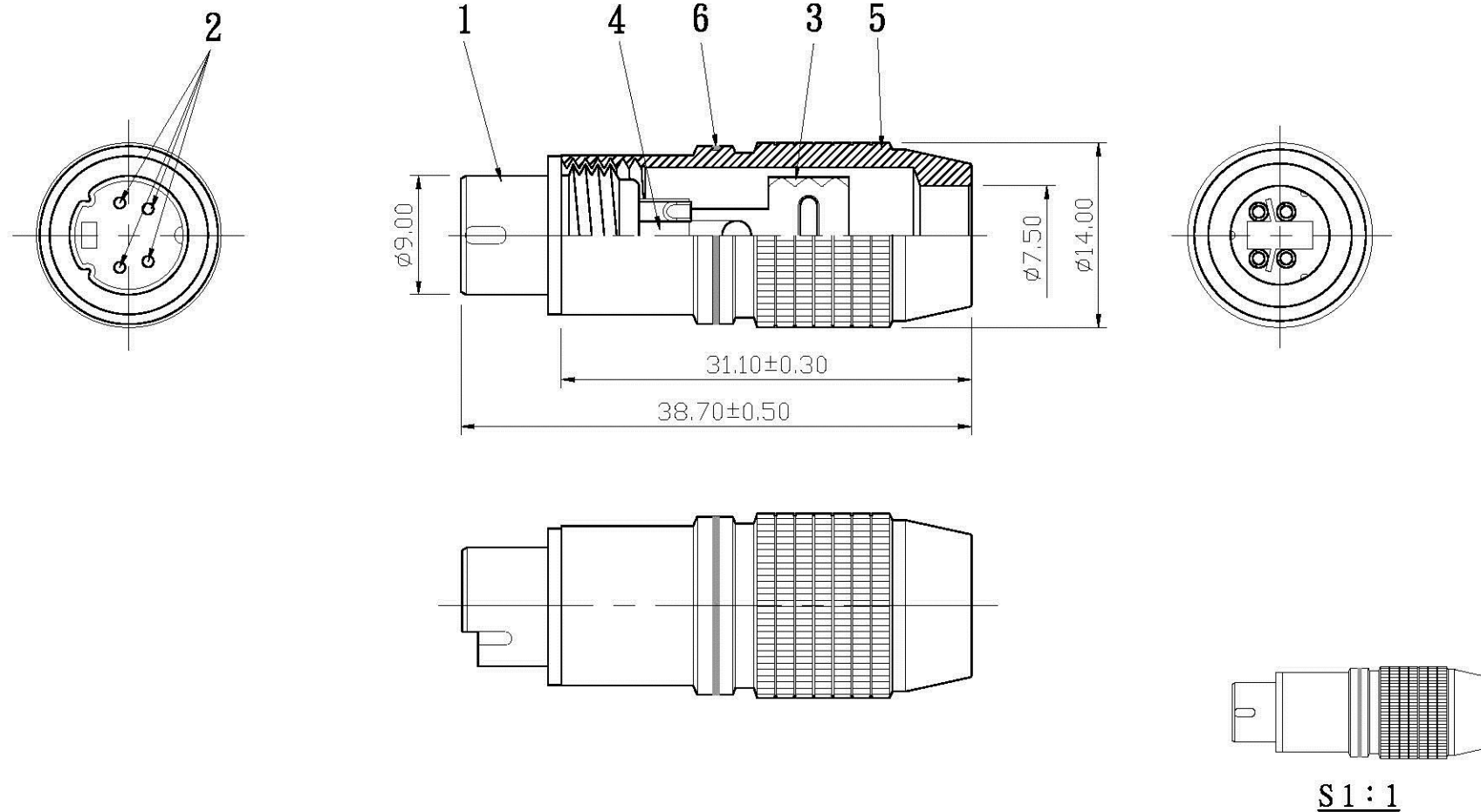



REMARK : RoHS REQUIREMENT APPLIED  
(符合RoHS)



NO.	Description	Unit	Materials	Finish	Drawing No.	SCALE	2 : 1	UNIT	MM	
7						DIMENSIONS ARE IN MILLIMETERS UNLESS OTHERWISE PECIFIED TOLERANCES (一般公差) 0.5~6 = $\pm 0.2$ >6~30 = $\pm 0.4$ >30~120 = $\pm 0.6$ >120~315 = $\pm 1$ >315~1000 = $\pm 1.6$ ANGLES(角度) = $\pm 5^\circ$			APPROVED	 www.allconnectors.de info@allconnectors.de TEL: 0189 711 2005-01 FAX: 0189 711 2005-04 70794 Filderstadt, Germany Kollmerschstr. 25
6	color ring	1	pvc	red/black/blue white/yellow/green	CHECKED					
5	shell	1	brass	stain nickel	DRAWN					
4	insulator	1	PBT	white	<i>Lala</i>					
3	clip	1	brass	gold	DATE					
2	contact pin	4	brass	gold	2009. 05. 26					
1	body	1	brass	gold	TITLE					
						<b>MINI DIN PLUG (S CONNECTOR)</b> DRAWING NO. DP-111SNG-PBT-RD/BK/BE/WE/YW/GN-7.5 FILE NO. DRAWINGAUDIOVDPDP-111SNG-PBT-RD/BK/BE/WE/YW/GN-7.5				