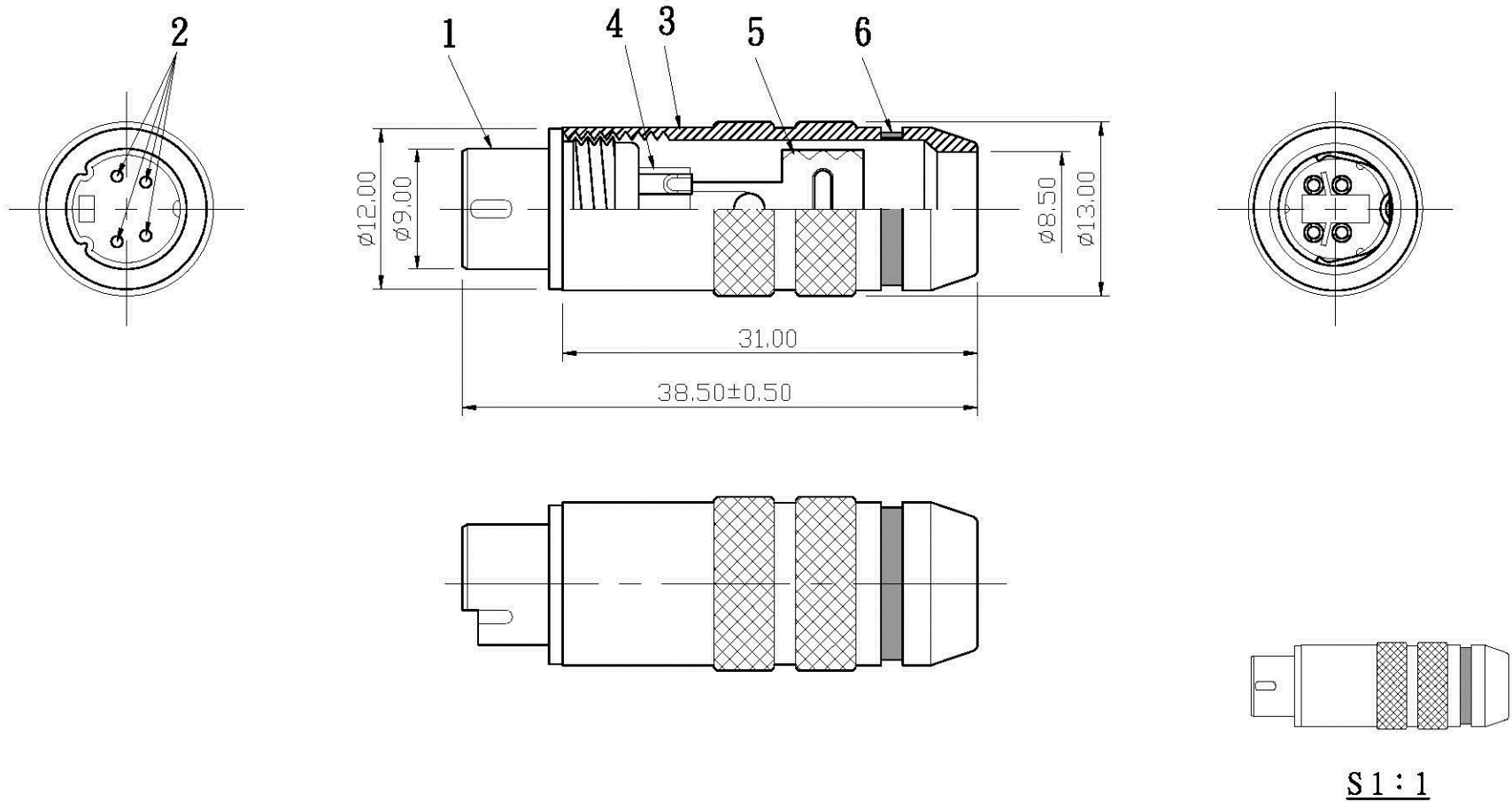


REMARK : RoHS REQUIREMENT APPLIED
(符合RoHS)



7						DIMENSIONS ARE IN MILLIMETERS UNLESS OTHERWISE PECIFIED TOLERANCES (一般公差) 0.5-6 = ±0.2 >6-30 = ±0.4 >30-120 = ±0.6 >120-315 = ±1 >315-1000 = ±1.6 ANGLES(角度) = ±5°	APPROVED	 www.allconnectors.de Tel.: 0049 711 7005503 70 791 Hilderstätt - Germany info@allconnectors.de Fax: 0049 711 7005504 Kettenerstr. 25	
6	color ring	1	pvc	red/black/white	CHECKED		TITLE		
5	clip	1	brass	gold	DRAWN		DIN PLUG (S CONNECTOR)		
4	insulator	1	PBT	white	<i>Lala</i>		DRAWING NO.		
3	shell	1	brass	zinc alloy	DATE		DP-107ZAG-PBT-RD/BK/WE-8.5		
2	contact pin	4	brass	gold	2008. 04. 30		FILE NO. DRAWING/AUDIO/DPDP-107ZAG-PBT-RD/BK/WE-8.5		
1	body	1	brass	gold					
NO.	Description	Unit	Materials	Finish	Drawing No.	SCALE	2 : 1	UNIT	MM