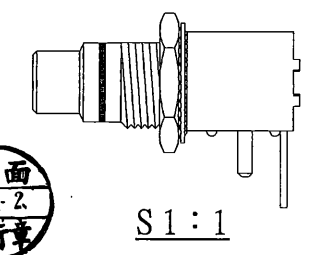
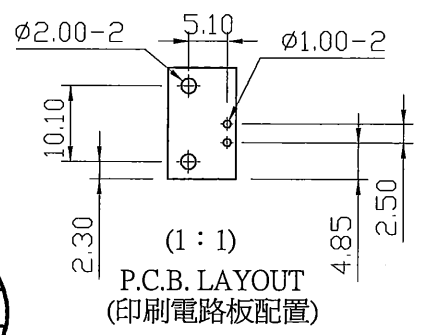
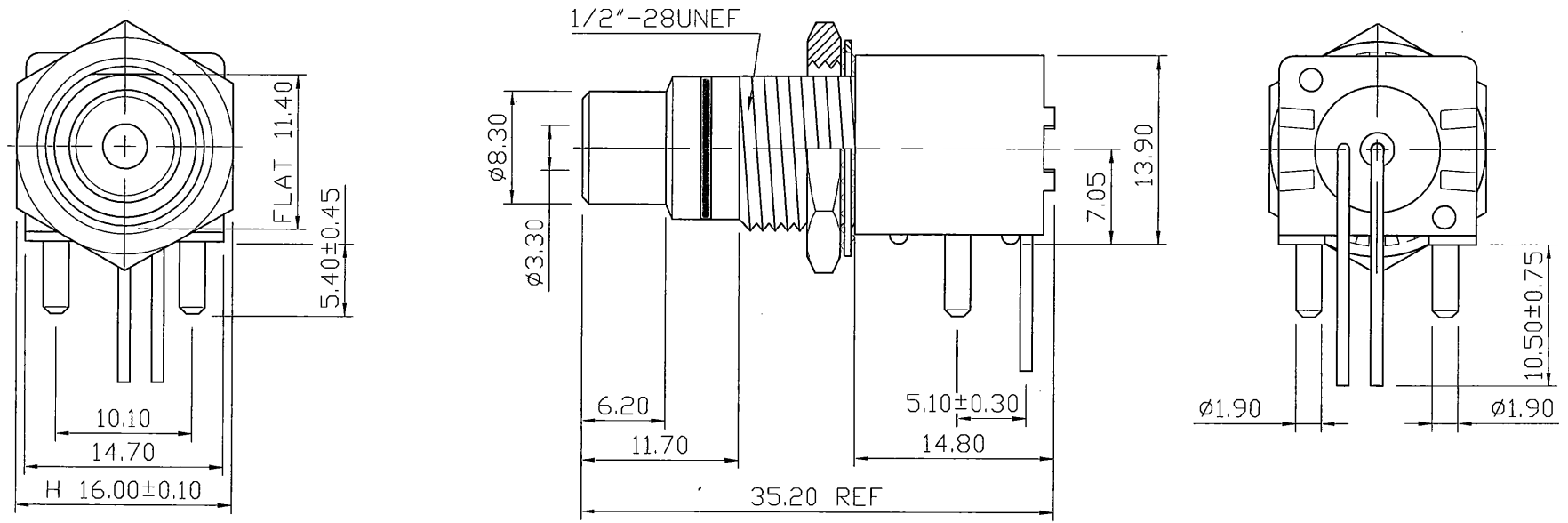


REMARK : RoHS REQUIREMENT APPLIED  
(符合RoHS)



-	color ring	1	PVC	red/black/white	
-	washer	1	steel	gold	
-	nut	1	brass	gold	
-	terminal	1	brass	gold	
-	terminal	1	brass	gold	
-	contatc pin	1	brass	gold	
-	mounting post	2	brass	gold	
-	insulator	1	PTFE	white	
-	insulator	1	PTFE	white	
-	body	1	brass	gold	
-	body	1	brass	gold	
-	body	1	PF	black	
NO.	Description	Unit	Materials	Finish	Drawing No.

業務部經理  
2812.11.05  
劉湘怡

DIMENSIONS ARE IN MILLIMETERS  
UNLESS OTHRWISE PECIFIED TOLERANCES (一般公差)  
0.5~6 = ±0.2  
>6~30 = ±0.4  
>30~120 = ±0.6  
>120~315 = ±1  
>315~1000 = ±1.6  
ANGLES(角度) = ±5°

CHECKED  
工程師  
謝智華  
DRAWN  
Tina  
DATE  
2012. 09. 19

**Allconnectors**  
www.allconnectors.eu | info@allconnectors.eu  
Tel. +49 (0)711 / 358 110 20 | Fax +49 (0)711 / 358 110 25

TITLE  
RCA JACK

DRAWING NO.  
RJ-255ABKPL(PF)G-TEF-RD/BK/WE

FILE NO. DRAWING/AUDIOIOR/RJ-255ABKPL(PF)G-TEF-RD/BK/WE