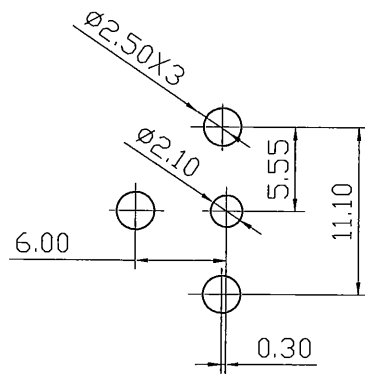
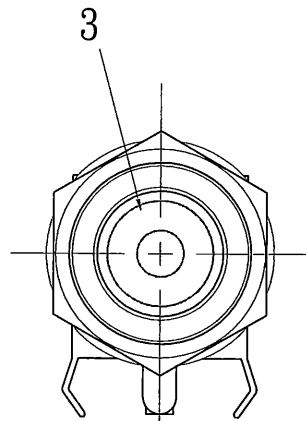
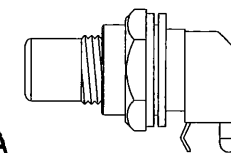
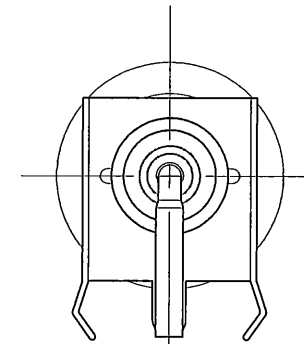
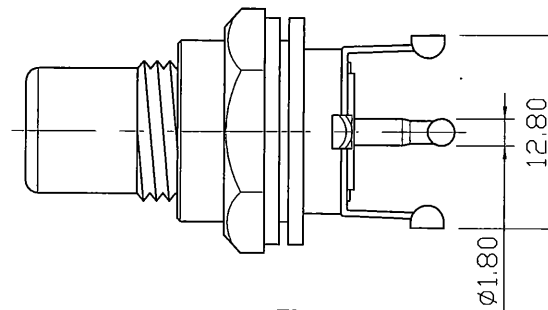
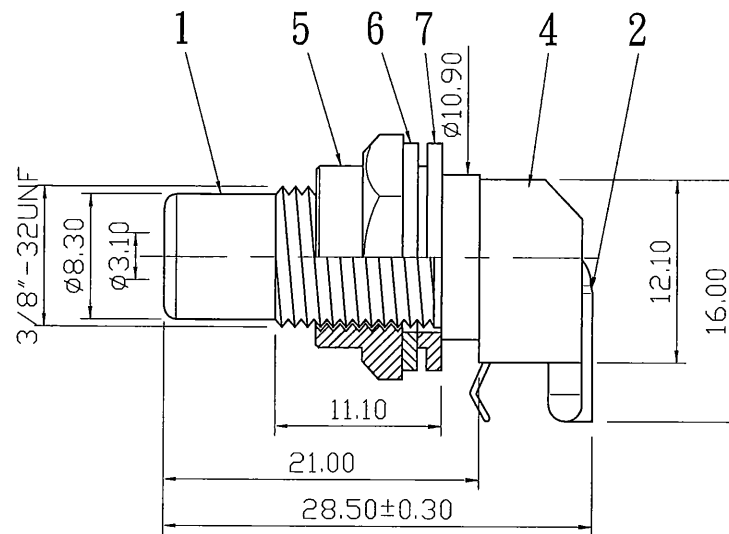


REMARK : RoHS REQUIREMENT APPLIED
(符合RoHS)



P.C.B. LAYOUT
(印刷电路板配置)



S1:1

業務部經理
2012.11.05
劉湘怡

圖面
2012.11.2
發行章

NO.	Description	Unit	Materials	Finish	Drawing No.	SCALE	UNIT	MM	CHECKED	DATE	FILE NO.
7	washer	1	plastic	black/red/white		2:1			業務部經理 2012-4-11 郭姿良	2007.05.21	DRAWING NO. RJ-202GG-TEF-BK/RD/WE
6	washer	1	plastic	black/red/white							
5	nut	1	brass	gold							
4	body	1	bronze	gold							
3	insulator	1	PTFE	white							
2	contact pin	1	brass	gold							
1	body	1	brass	gold							
DIMENSIONS ARE IN MILLIMETERS						UNLESS OTHERWISE SPECIFIED TOLERANCES (一般公差)					
						0.5-6 = ±0.2					
						>6-30 = ±0.4					
						>30-120 = ±0.6					
						>120-315 = ±1					
						>315-1000 = ±1.6					
						ANGLES(角度) = ±5°					
www.allconnectors.eu info@allconnectors.eu						Tel. +49 (0)711 / 358 110 20 Fax +49 (0)711 / 358 110 25					
Allconnectors						TITLE RCA JACK					
2007.05.21						DRAWING NO. RJ-202GG-TEF-BK/RD/WE					
						FILE NO. DRAWING/AUDIO/RJRJ-202GG-TEF-BK/RD/WE					