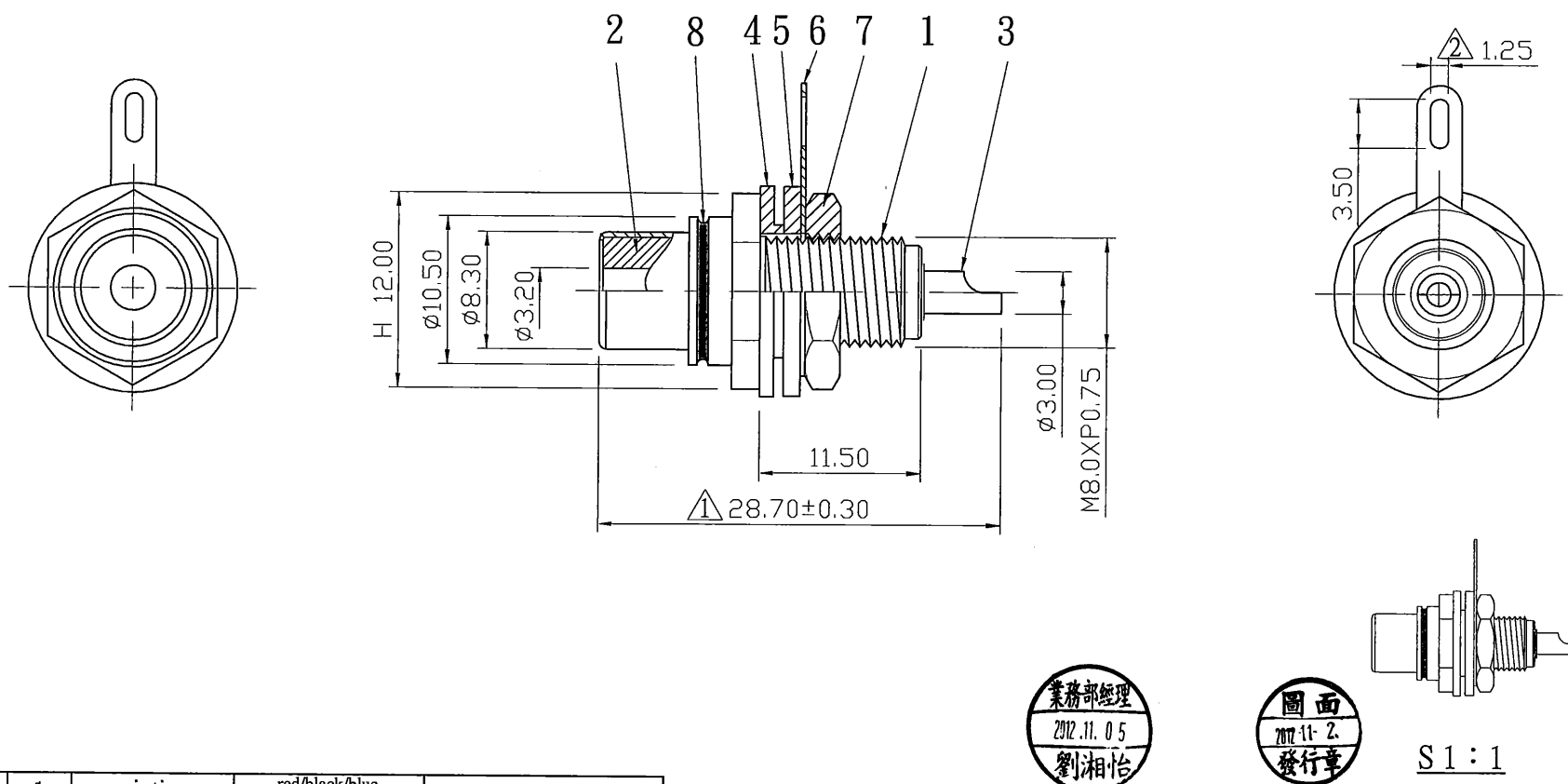


No.	DATE	DESCRIPTION	REV
△1	2011. 03. 22	Original dimation 29.00±0.30	A
△2	2011. 03. 22	Original dimation 1.28	

REMARK : RoHS REQUIREMENT APPLIED
(符合RoHS)



8	color ring	1	painting	red/black/blue white/yellow/green	
7	hexagon nut	1	brass	gold	
6	solder tab	1	bronze	gold	
5	washer	1	plastic	white	
4	washer	1	plastic	white	
3	contact pin	1	brass	gold	
2	insulator	1	PTFE	white	
1	body	1	brass	gold	
NO.	Description	Unit	Materials	Finish	Drawing No.

DIMENSIONS ARE IN MILLIMETERS
UNLESS OTHERWISE PECIFIED
TOLERANCES (一般公差)
0.5-6 = ±0.2
>6-30 = ±0.4
>30-120 = ±0.6
>120-315 = ±1
>315-1000 = ±1.6
ANGLES(角度) = ±5°

CHECKED
2012-5-15
郭藝良
DRAWN
Tina
DATE
2007. 11. 29

Allconnectors
www.allconnectors.eu | info@allconnectors.eu
Tel. +49 (0)711 / 358 110 20 | Fax +49 (0)711 / 358 110 25

TITLE
RCA JACK

DRAWING NO.
RJ-126HG-TEF-RD/BK/BE/WE/YW/GN

FILE NO. DRAWINGAUDIO\RJ-126HG-TEF-RD/BK/BE/WE/YW/GN