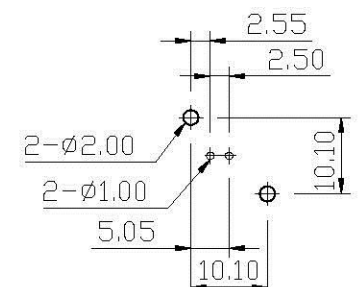
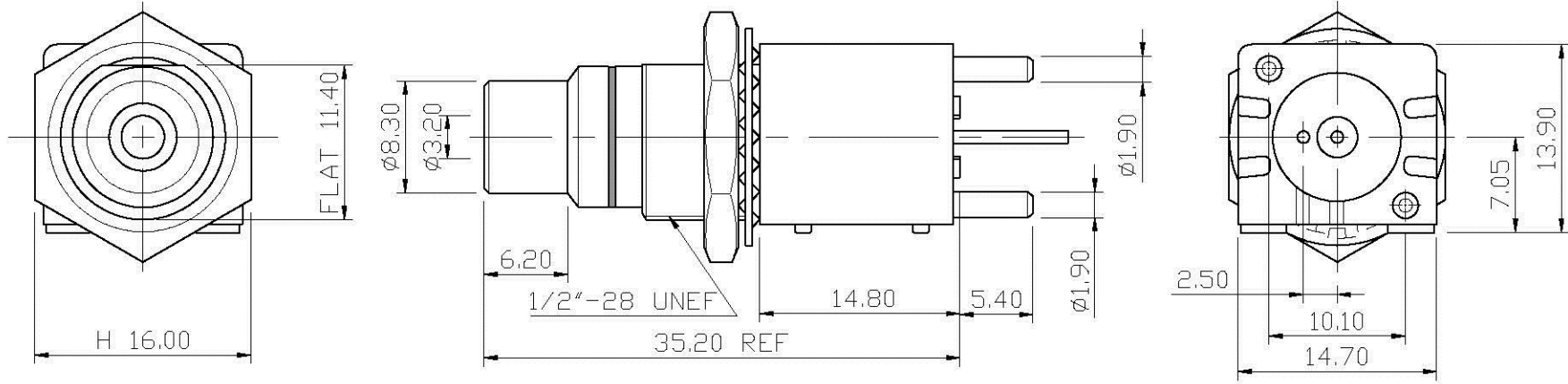
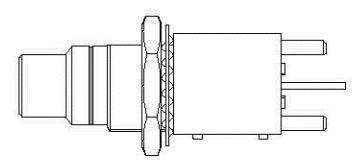


REMARK : RoHS REQUIREMENT APPLIED
(符合RoHS)



(1 : 1)
P.C.B. LAYOUT
(印刷电路板配置)



S 1 : 1

-	color ring	1	PVC	red/black	
-	washer	1	steel	gold	
-	nut	1	brass	gold	
-	ground	1	brass	gold	
-	ground	1	brass	gold	
-	contact pin	1	brass	gold	
-	mounting post	2	brass	gold	
-	insulator	1	PTFE	white	
-	insulator	1	PTFE	white	
-	body	1	brass	gold	
-	body	1	brass	gold	
-	shell	1	PF	black	
NO.	Description	Unit	Materials	Finish	Drawing No.

DIMENSIONS ARE IN
MILLIMETERS

UNLESS OTHERWISE SPECIFIED
TOLERANCES
(一般公差)

0.5-6 = ±0.2
>6-30 = ±0.4
>30-120 = ±0.6
>120-315 = ±1
>315-1000 = ±1.6

ANGLES(角度) = ±5°

SCALE	UNIT	MM
2 : 1		

CHECKED

DRAWN
Tina

DATE
2012. 11. 23

Allconnectors
www.allconnectors.de
Tel.: 0049 711 7009503
70794 Filzstadt - Germany

info@allconnectors.de
Fax: 0049 711 7009504
Kettenerstr. 25

TITLE
RCA JACK

DRAWING NO.
RJ-255ABKPL(PF)G-TEF-RD/BK-180°

FILE NO. DRAWINGAUDIORJRI-255ABKPL(PF)G-TEF-RD/BK-180°