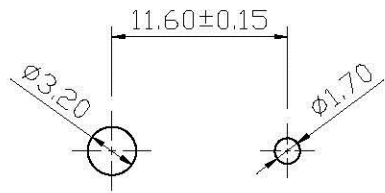
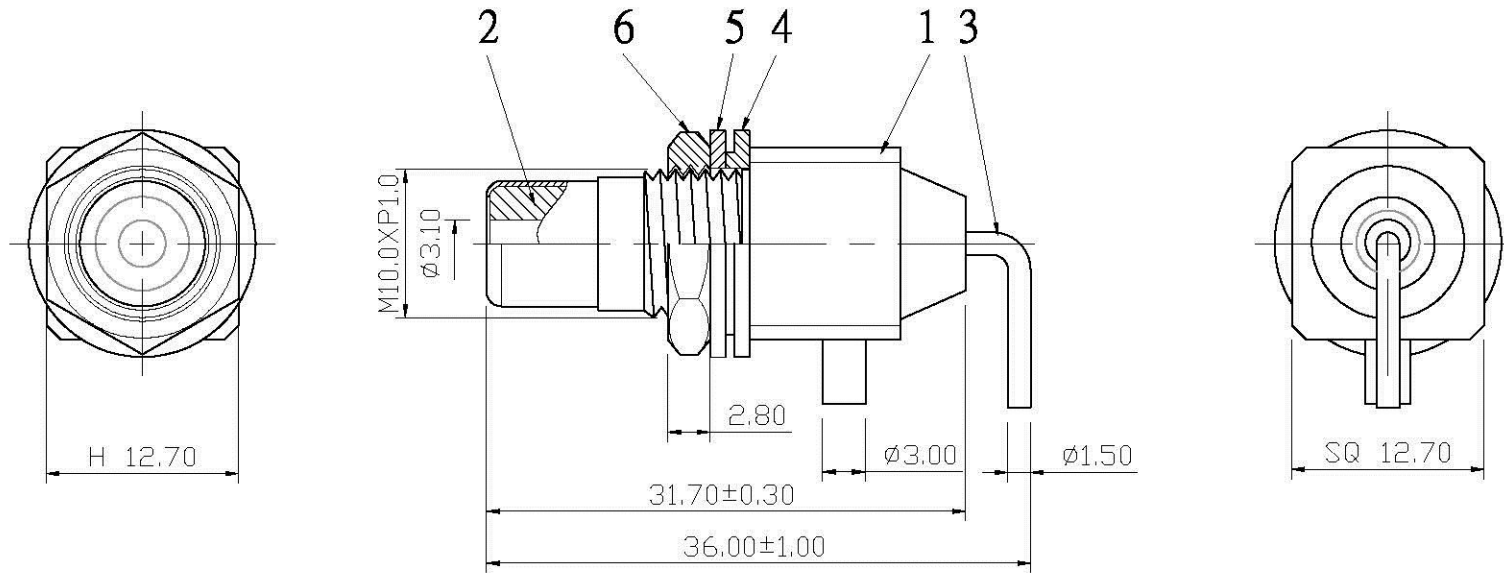
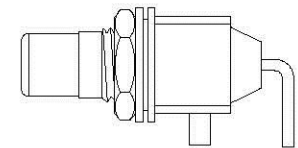
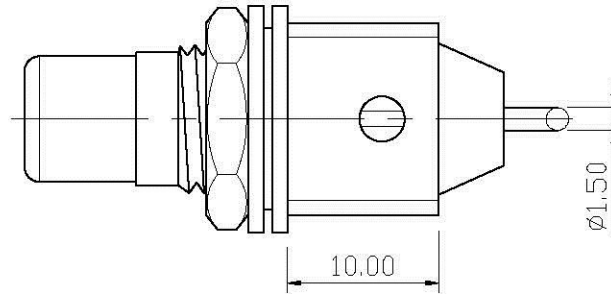


No.	DATE	DESCRIPTION	REV
▲	2009. 10. 14	Drawing to renew 圖面更新	A

REMARK : RoHS REQUIREMENT APPLIED
(符合RoHS)



P.C.B. LAYOUT
(印刷电路板配置)



S 1 : 1

7						DIMENSIONS ARE IN MILLIMETERS UNLESS OTHERWISE SPECIFIED TOLERANCES (一般公差) 0.5-6 = ±0.2 >6-30 = ±0.4 >30-120 = ±0.6 >120-315 = ±1 >315-1000 = ±1.6 ANGLES(角度) = ±5°	CHECKED	 www.allconnectors.de Tel.: 0049 711 7005503 70794 Filderstadt - Germany info@allconnectors.de Fax: 0049 711 7009504 Kettenerstr. 25	
6	nut	1	brass	gold			DRAWN		TITLE
5	washer	1	plastic	red/black/white			<i>Jim</i>		RCA JACK
4	washer	1	plastic	red/black/white				DRAWING NO.	
3	contact pin	1	brass	gold				RJ-203GG-TEF-RD/BK/WE	
2	insulator	1	PTFE	white				FILE NO.	
1	body	1	brass	gold			DRAWING\AUDIO\RJ-203GG-TEF-RD/BK/WE		
NO.	Description	Unit	Materials	Finish	Drawing No.	SCALE 2 : 1 UNIT MM	DATE 2007. 12. 28		