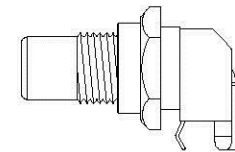
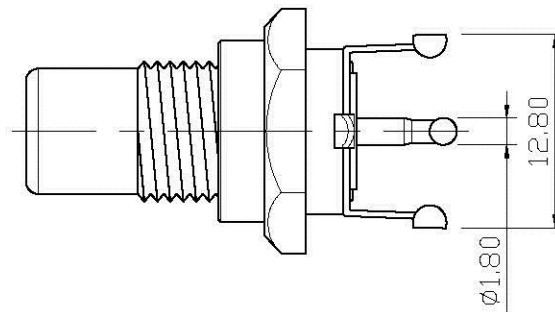
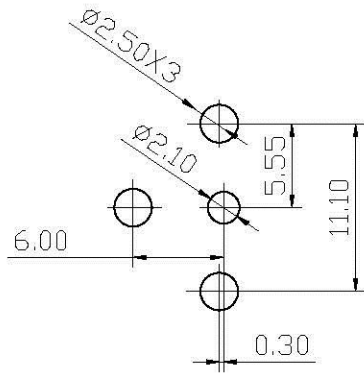
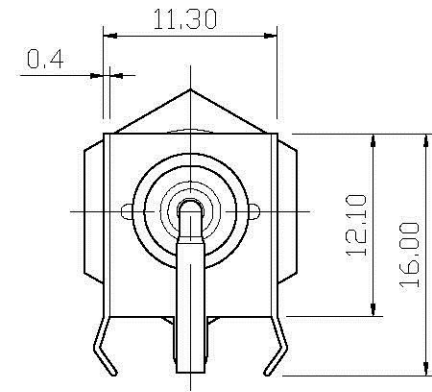
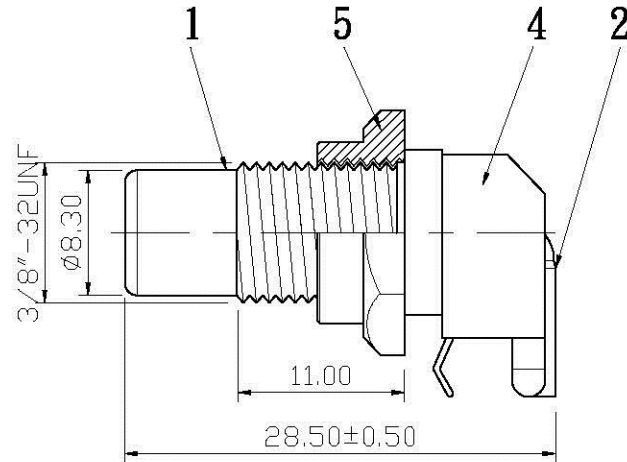
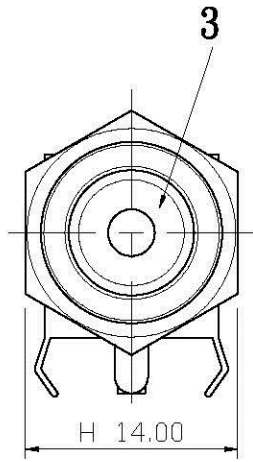


REMARK : RoHS REQUIREMENT APPLIED
(符合RoHS)



P.C.B. LAYOUT
(印刷电路板配置)

S 1 : 1

NO.	Description	Unit	Materials	Finish	Drawing No.	SCALE	2 : 1	UNIT	MM	CHECKED	DATE	2007. 12. 20	FILE NO.	DRAWING	AUDIO/RJ-RJ-202GG-TEF		
7						DIMENSIONS ARE IN MILLIMETERS UNLESS OTHERWISE SPECIFIED TOLERANCES (一般公差) 0.5~6 = ± 0.2 >6~30 = ± 0.4 >30~120 = ± 0.6 >120~315 = ± 1 >315~1000 = ± 1.6 ANGLES(角度) = $\pm 5^\circ$											
6																	
5	nut	1	brass	gold													
4	body	1	bronze	gold													
3	insulator	1	PTFE	white													
2	contact pin	1	brass	gold													
1	body	1	brass	gold													
DIMENSIONS ARE IN MILLIMETERS UNLESS OTHERWISE SPECIFIED TOLERANCES (一般公差) 0.5~6 = ± 0.2 >6~30 = ± 0.4 >30~120 = ± 0.6 >120~315 = ± 1 >315~1000 = ± 1.6 ANGLES(角度) = $\pm 5^\circ$											CHECKED	Allconnectors www.allconnectors.de Tel.: 0049 711 7008503 70791 Filderstadt - Germany info@allconnectors.de Fax: 0049 711 7008504 Kettnerstr. 25					
											DRAWN	RCA JACK					
											DATE	RJ-202GG-TEF					
												DRAWING					