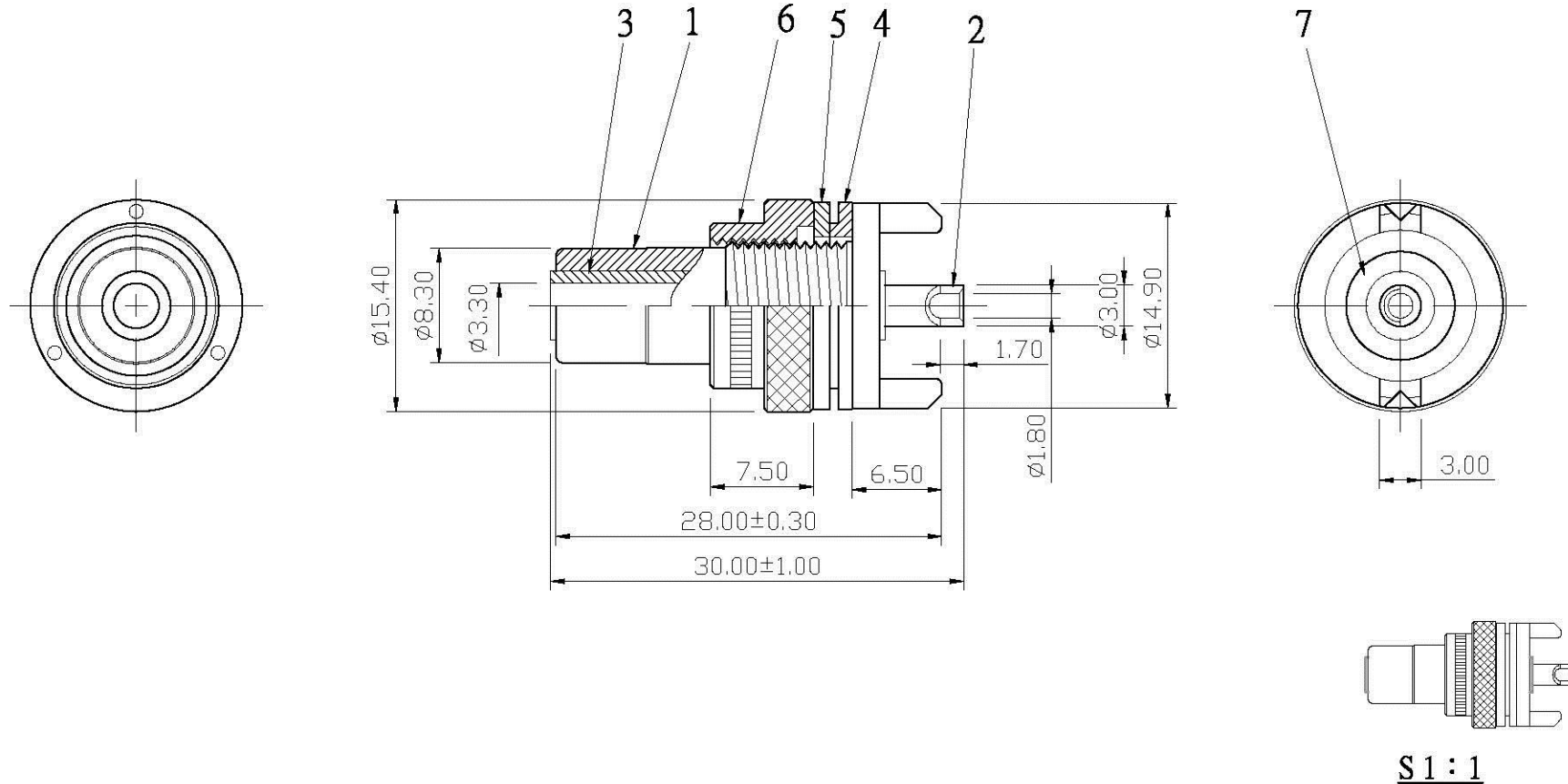


REMARK : RoHS REQUIREMENT APPLIED
(符合RoHS)



S 1 : 1

NO.	Description	Unit	Materials	Finish	Drawing No.	SCALE	2 : 1	UNIT	MM					
7	gasket	1	brass	gold		DIMENSIONS ARE IN MILLIMETERS UNLESS OTHERWISE PECIFIED TOLERANCES (一般公差) 0.5~6 = ± 0.2 >6~30 = ± 0.4 >30~120 = ± 0.6 >120~315 = ± 1 >315~1000 = ± 1.6 ANGLES(角度) = $\pm 5^\circ$								
6	headlock	1	brass	gold										
5	washer	1	plastic	red/black/white										
4	washer	1	plastic	red/black/white										
3	insulator	1	PTFE	white										
2	contact pin	1	brass	gold										
1	body	1	brass	gold										
						CHECKED	All Connectors www.allconnectors.de Tel.: 0049 711 7005508 70/71 Hilderstadt - Germany info@allconnectors.de Fax: 0049 711 7009504 Kettenerstr. 25							
						DRAWN					TITLE RCA JACK			
						DATE								
						2007. 09. 29					FILE NO. DRAWINGAUDIOV/RJ-201GG-TEF-RD/BK/WE			