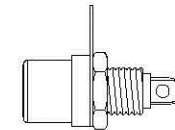
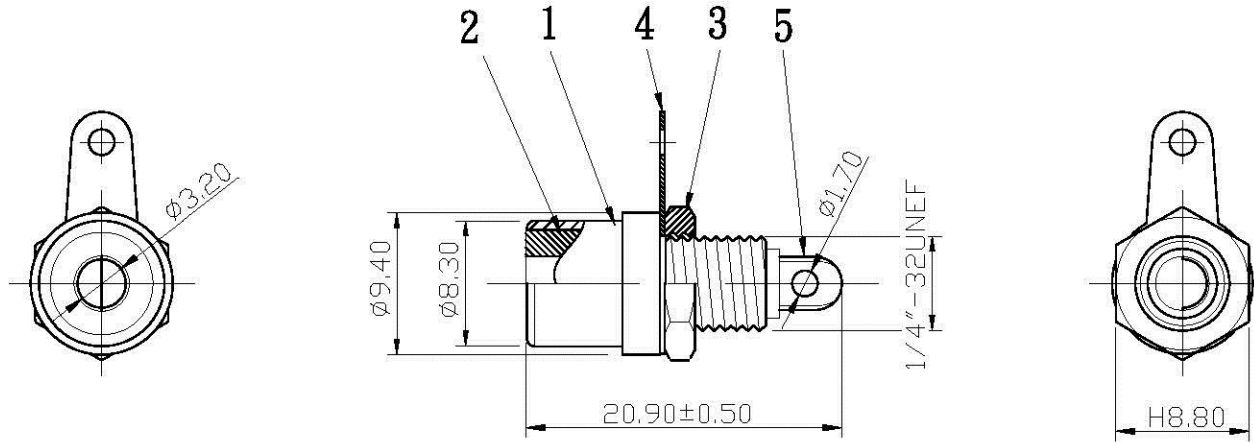



REMARK : RoHS REQUIREMENT APPLIED
(符合RoHS)



S 1 : 1

7						DIMENSIONS ARE IN MILLIMETERS UNLESS OTHERWISE PECIFIED TOLERANCES (一般公差) 0.5~6 = ± 0.2 >6~30 = ± 0.4 >30~120 = ± 0.6 >120~315 = ± 1 >315~1000 = ± 1.6 ANGLES(角度) = $\pm 5^\circ$	APPROVED	 www.allconnectors.de info@allconnectors.de Tel.: 0049 711 7009104 Fax: 0049 711 7009104 70794 Hildersstadt, Germany			
6					CHECKED		TITLE				
5	contact pin	1	brass	gold			RCA JACK				
4	solder tab	1	bronze	gold			DRAWING NO.				
3	nut	1	brass	gold			RJ-131GG-POM(BE/GN/RD/YW/WE/BK)				
2	insulator	1	POM	red/blue/black white/yellow/green			FILE NO. DRAWING/AUDIO/RJ/RJ-131GG-POM(BE/GN/RD/YW/WE/BK)				
1	body	1	brass	gold							
NO.	Description	Unit	Materials	Finish	Drawing No.	SCALE	2:1	UNIT	MM	DATE	2007. 11. 01