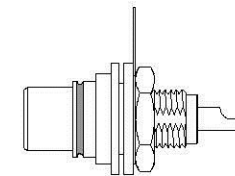
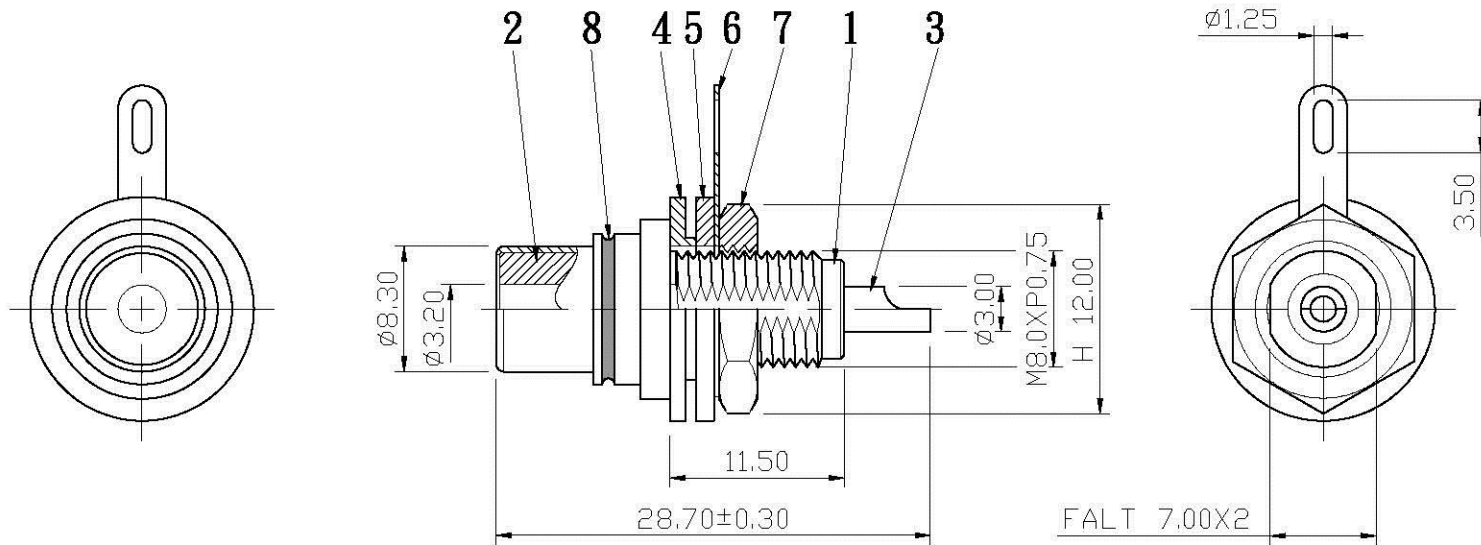


No.	DATE	DESCRIPTION	REV
△	2011. 03. 21	Drawing to renew 圖面更新	A
△	2012. 03. 13	Drawing to renew 圖面更新	B

REMARK : RoHS REQUIREMENT APPLIED  
(符合RoHS)



S 1 : 1

NO.	Description	Unit	Materials	Finish	Drawing No.
8	color ring	1	painting	red/black/blue white/yellow/green	
7	nut	1	brass	gold	
6	solder tab	1	bronze	gold	
5	washer	1	plastic	white	
4	washer	1	plastic	white	
3	contact pin	1	brass	gold	
2	insulator	1	PTFE	white	
1	body	1	brass	gold	

DIMENSIONS ARE IN  
MILLIMETERS

UNLESS OTHERWISE PECIFIED  
TOLERANCES  
(一般公差)

0.5-6 = ±0.2  
>6-30 = ±0.4  
>30-120 = ±0.6  
>120-315 = ±1  
>315-1000 = ±1.6

ANGLES(角度) = ±5°

SCALE 2 : 1 UNIT MM

CHECKED

DRAWN  
*Tina*

DATE  
2007. 12. 03

**Allconnectors**  
www.allconnectors.de  
Tel.: 0049 711 700503  
40294 Hildenstadt - Germany  
info@allconnectors.de  
Fax: 0049 711 700504  
Kettnerstr. 25

TITLE  
**RCA JACK**

DRAWING NO.  
**RJ-125RG-TEF-RD/BK/BE/WE/YW/GN**

FILE NO. DRAWING\AUDIO\RJ-125RG-TEF-RD/BK/BE/WE/YW/GN