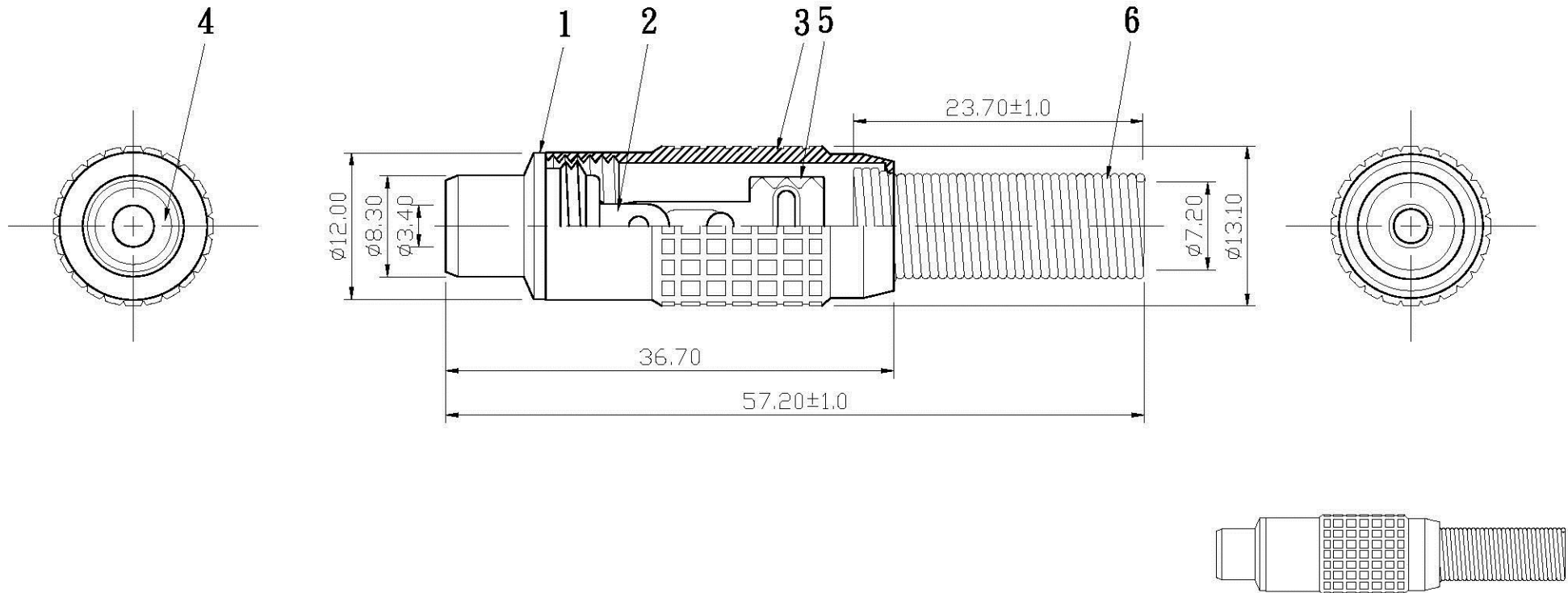



REMARK : RoHS REQUIREMENT APPLIED  
(符合RoHS)



S1:1

NO.	Description	Unit	Materials	Finish	Drawing No.	SCALE	2 : 1	UNIT	MM	
7		1				DIMENSIONS ARE IN MILLIMETERS UNLESS OTHERWISE PECIFIED TOLERANCES (一般公差) 0.5~6 = ±0.1 >6~30 = ±0.15 >30~120 = ±0.2 >120~315 = ±0.3 >315~1000 = ±0.4 ANGLES(角度) = ±3°				
6	spring	1	brass	gold						
5	clip	1	brass	gold						
4	insulator	1	bakelite	brown						
3	shell	1	aluminum	anodic treatment black/red						
2	contact pin	1	brass	gold						
1	body	1	brass	gold						
						APPROVED	 www.allconnectors.de Tel.: 0049 711 7009503 70794 Rilderstedt - Germany info@allconnectors.de Fax: 0049 711 7009504 Kettenamerstr. 25			
						CHECKED				
						DRAWN <b>Tina</b>				
						DATE 2007. 08. 22				
						TITLE <b>RCA JACK</b>				
						DRAWING NO. <b>RJ-124BK/RDALG-BAK-7.2</b>				
						FILE NO. DRAWINGAUDIO\RJ\RJ-124BK/RDALG-BAK-7.2				