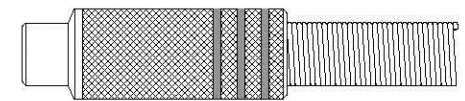
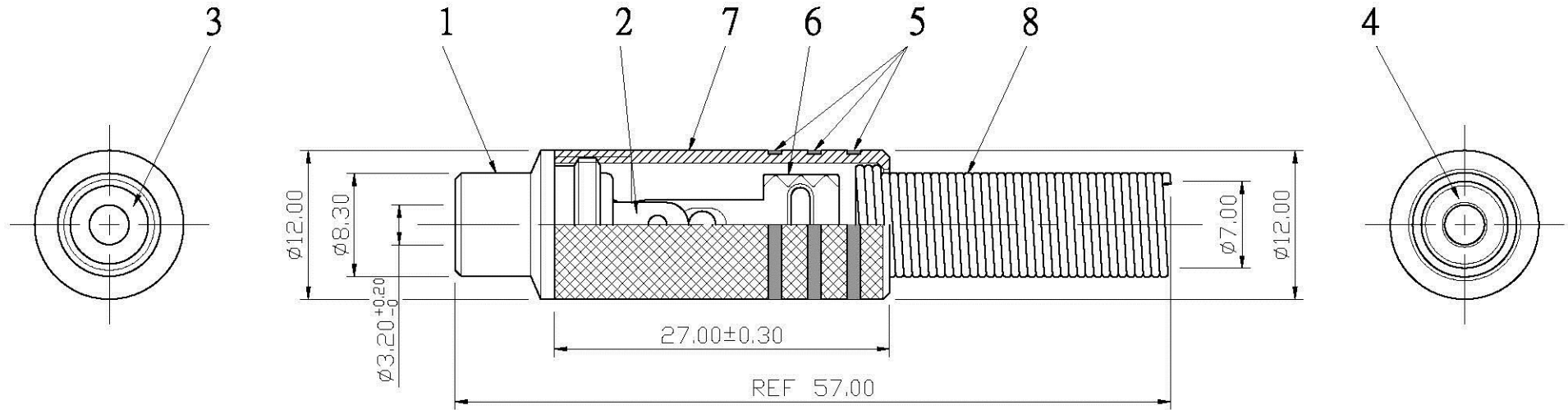


REMARK : RoHS REQUIREMENT APPLIED  
(符合RoHS)



S 1 : 1

8	spring	1	brass	gold	
7	shell	1	brass	gold	
6	clip	1	brass	gold	
5	color ring	1	PVC	red/black	
4	insulator	1	ABS	white	
3	insulator	1	bakelite	white	
2	contact pin	1	brass	gold	
1	body	1	brass	gold	
NO.	Description	Unit	Materials	Finish	Drawing No.

DIMENSIONS ARE IN  
MILLIMETERS

UNLESS OTHERWISE PECIFIED  
TOLERANCES  
(一般公差)  
0.5-6 = ±0.2  
>6-30 = ±0.4  
>30-120 = ±0.6  
>120-315 = ±1  
>315-1000 = ±1.6  
ANGLES(角度) = ±5'

CHECKED

DRAWN

*Jim*

DATE

2011. 04. 21

**Allconnectors**

www.allconnectors.de  
Tel.: 0049 711 709508  
70794 Filzbergstr. 1 Germany

info@allconnectors.de  
Fax: 0049 711 709509  
Kollmerstr. 25

TITLE

RCA JACK

DRAWING NO.

RJ-123GG-ABS-RD/BK-7.0

FILE NO. DRAWINGAUDIO/RJRJ-123GG-ABS-RK/BK-7.0

SCALE 2 : 1 UNIT MM