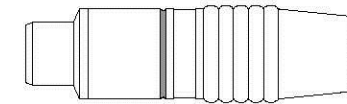
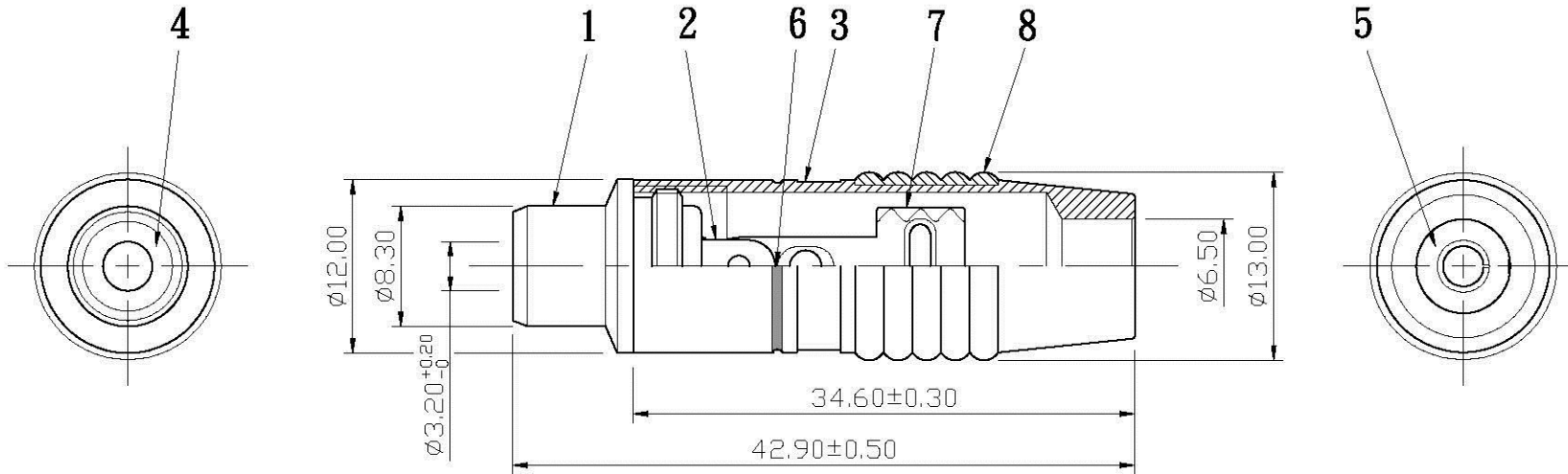


REMARK : RoHS REQUIREMENT APPLIED
(符合RoHS)



S 1 : 1

8	ring	1	brass	nickel	
7	clip	1	brass	gold	
6	color ring	1	PVC	black/red	
5	insulator	1	ABS	white	
4	insulator	1	bakelite	white	
3	shell	1	brass	gold	
2	contact pin	1	brass	gold	
1	body	1	brass	gold	
NO.	Description	Unit	Materials	Finish	Drawing No.

DIMENSIONS ARE IN
MILLIMETERS

UNLESS OTHERWISE PECIFIED
TOLERANCES
(一般公差)
0.5-6 = ±0.2
>6-30 = ±0.4
>30-120 = ±0.6
>120-315 = ±1
>315-1000 = ±1.6
ANGLES(角度) = ±5'

CHECKED

DRAWN

Jim

DATE

2011.06.10

Allconnectors

www.allconnectors.de
Tel.: 0019 711 7009503
70794 Filderstadt - Germany

info@allconnectors.de
Fax: 0019 711 7009504
Kettenerstr. 25

TITLE

RCA JACK

DRAWING NO.

RJ-113GG-ABS-BK/RD-6.5

FILE NO.

DRAWING\AUDIO\RJ-113GG-ABS-BK/RD-6.5

SCALE 2 : 1 UNIT MM