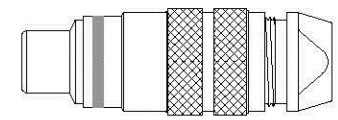
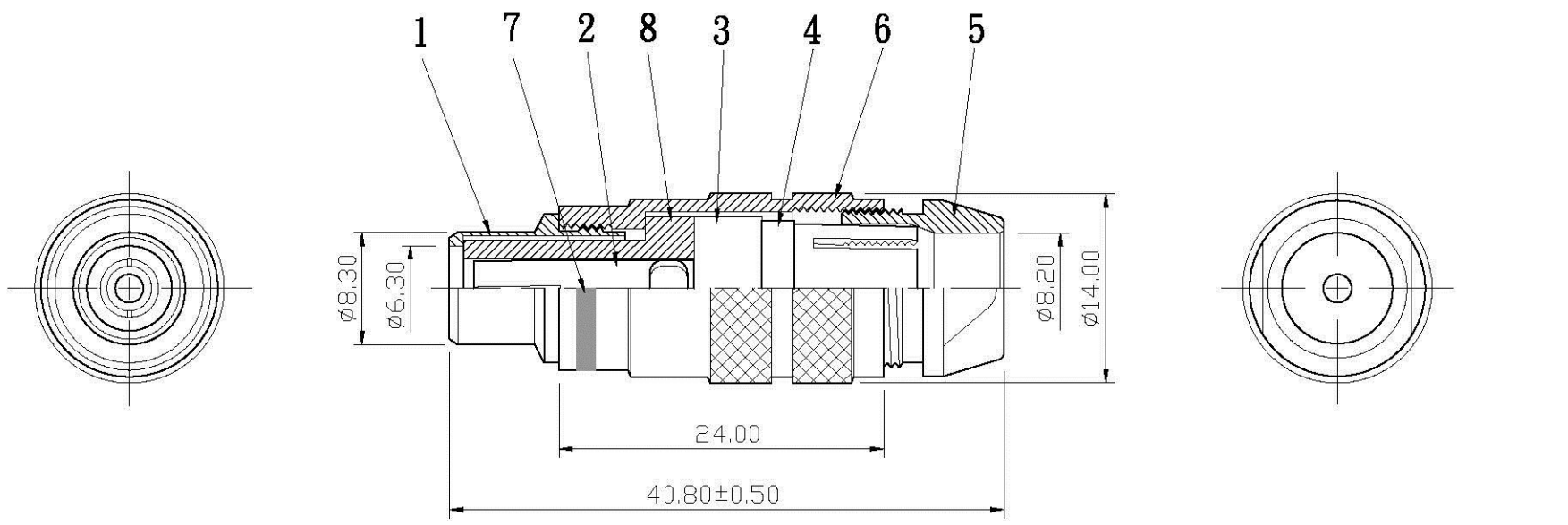



REMARK : RoHS REQUIREMENT APPLIED
(符合RoHS)



S 1 : 1

8	insulator	1	PTFE	white		DIMENSIONS ARE IN MILLIMETERS UNLESS OTHERWISE PECIFIED TOLERANCES (一般公差) 0.5~6 = ±0.2 >6~30 = ±0.4 >30~120 = ±0.6 >120~315 = ±1 >315~1000 = ±1.6 ANGLES(角度) = ±5°	CHECKED	 www.allconnectors.de Tel.: 0049 711 7099508 70724 Hilderstact - Germany info@allconnectors.de Fax: 0049 711 7099504 Kettnerstr. 25	
7	color ring	1	painting	red/black/blue white/yellow/green					DRAWN <i>Jim</i>
6	shell	1	brass	zinc alloy			DATE 2009. 05. 20		
5	headlock	1	brass	zinc alloy					FILE NO. DRAWINGAUDIO/R/RJ-101ZAG-TEF-RD/BK/BE/WE/YW/GN-8.2
4	clip	1	brass	gold					
3	insulator	1	PTFE	white					
2	contact pin	1	brass	gold					
1	body	1	brass	gold					
NO.	Description	Unit	Materials	Finish	Drawing No.	SCALE	2 : 1	UNIT	MM