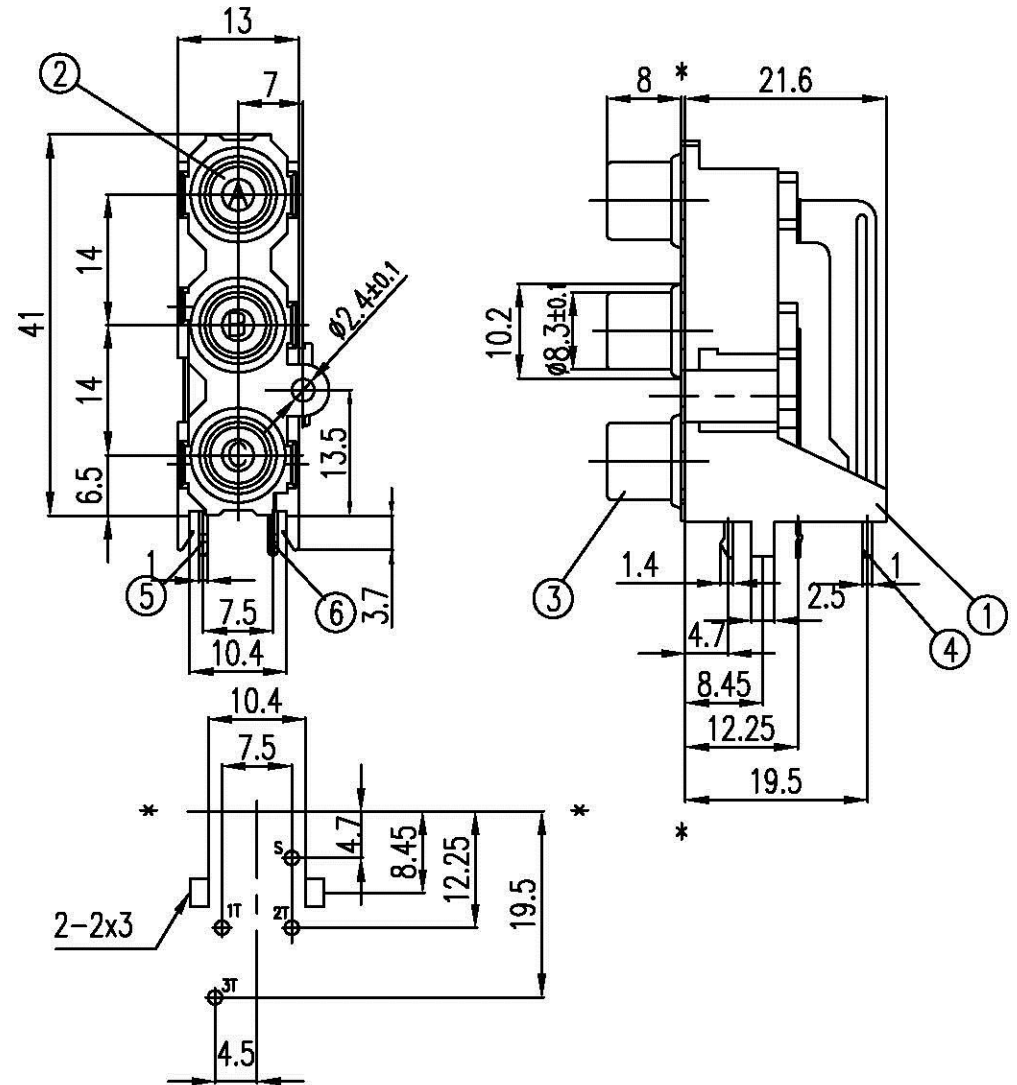


RCAC1-JR47Exxx-04-LF
LEADFREE

RoHS Compliant

6	TERMINAL	1	C2680 t=0.4	MB:Cu Cu/Sn PLATED
5	TERMINAL	1	C2680 t=0.4	MB:Cu Cu/Sn PLATED
4	TERMINAL	1	C2680 t=0.4	MB:Cu Cu/Sn PLATED
3	OUTER CONTACT	1	C2680 t=0.4	MB:Cu Cu/Sn PLATED
2	WASHER	3	PBT	UL-94V0
1	HOUSING	1	PBT	UL-94V0
LTR	PART NAME	QTY	MATERIAL	REMARK



T:1.6 Dimensions of PC board holes
Tolerance : ±0.1(Printed-side view)

UNLESS OTHERWISE SPECIFIED, TOLERANCE ON DECIMAL: ±0.3

All connectors

www.allconnectors.de
Tel.: 0049 711 7009503
70794 Filderstadt - Germany

info@allconnectors.de
Fax: 0049 711 7009504
Kettnerstr. 25

PART NO. RCAC1-JR47Exxx-04

DWG NO. RCAC1-JR47Exxx-04

FILE NO.

UNIT / mm

SCALE 1:1

CHECKED BY CY

DRAWING BY

PROJECTION



TOLERANCES ARE

.X ± 0.2
.XX ±
XXX ±
AWG

DESCRIPTION:

PIN JACK

AREA

REVISIONS

HK

DATE