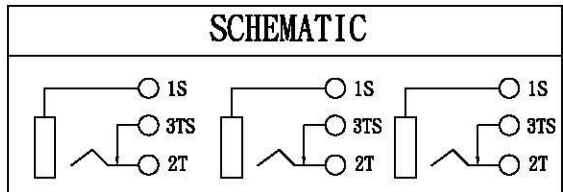
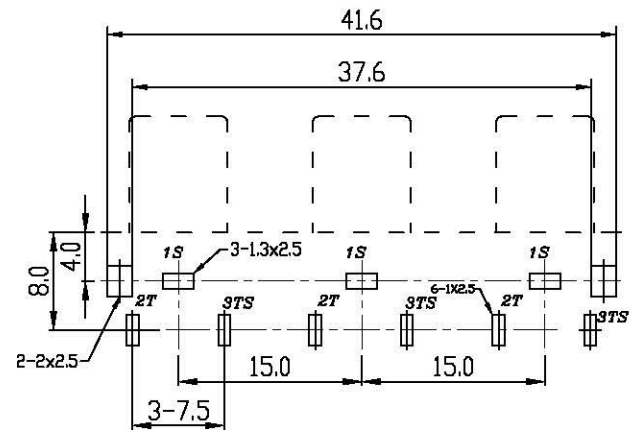
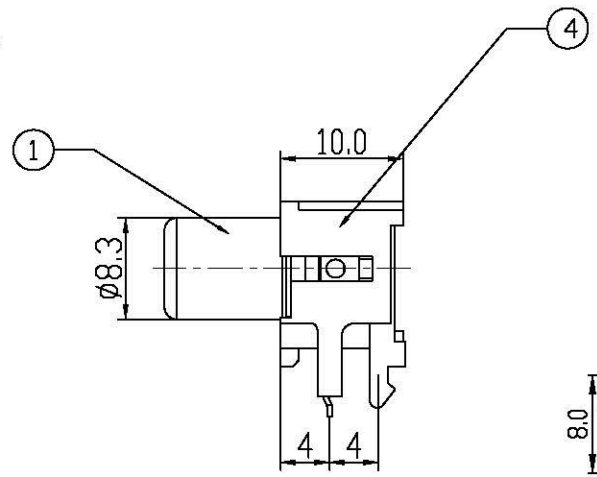
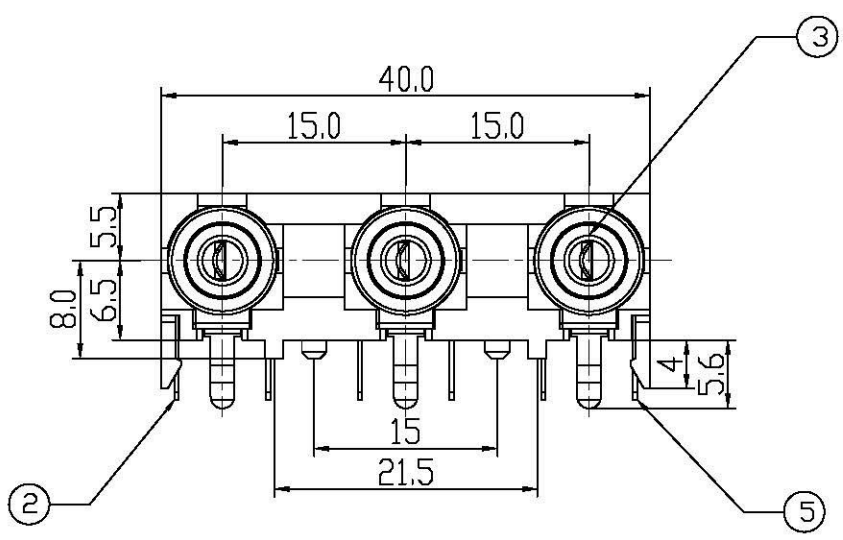
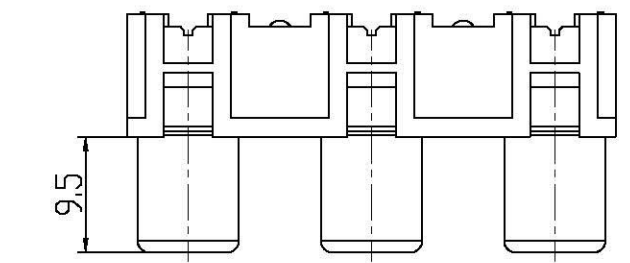
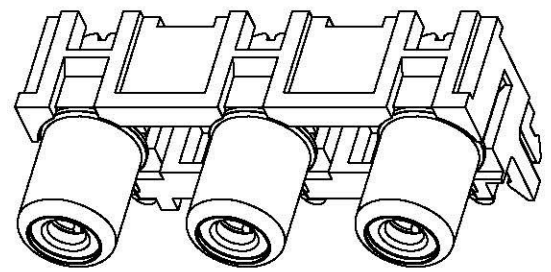


1 2 3 4 5 6 7 8 9 0

J
I
H
G
F
E
D
C
B
A



NO	PART NAME	Q'TY	MATERIAL	PLATED	COLOR
5	TIP SHUNT	3	BRASS	Sn/Cu	
4	HOUSING	1	PBT		BLACK
3	WASHER	3	PBT		
2	TIP	3	P.B.S	Sn/Cu	
1	OUTER CONTACT	3	SPCC	NICKEL	

RCAA3-JR40xxx-03-LF
LEADFREE
YWR:YELLOW/WHITE/RED

P.B.C LAYOUT
BOTTOM VIEW

Insulator Color Code:(A → B → C)

1	2	3	4	5
Black	Red	White	Yellow	Blue
6	7	8	9	
Gray	Green	Orange	Brown	

RoHS Compliant

Allconnectors
www.allconnectors.de
Tel.: 0049 711 7009503
70734 Eilderstadt - Germany

info@allconnectors.de
Fax: 0049 711 7009504
Kette merstr. 25

PART NO. RCAA3-JR40xxx-03

DWG NO. RCAA3-JR40xxx-03

CHECKED BY CY

TOLERANCES ARE

FILE NO.

DRAWING BY

.X ± 0.2
.XX ± 0.1
.XXX ±
AWG

DESCRIPTION: *RCA JACK*

UNIT / mm

SCALE 1:1

PROJECTION

AREA	REVISIONS	HK	DATE