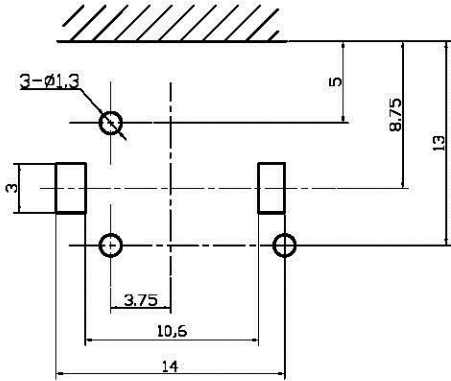
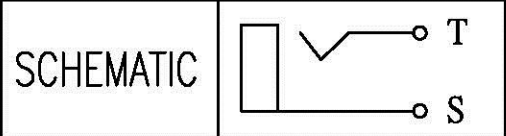


MODEL NO.	COLOR OF HOUSING
RCA-JR50E-03	BLACK



T:1.6 Dimensions of PC board holes
 Tolerance : ±0.1(Printed-bottom view)
 UNLESS OTHERWISE SPECIFIED, TOLERANCE ON DECIMAL: ±0.3

RCA-JR50E-03-LF
 LEADFREE
 RoHS Compliant

5	COVER	1	ABS	UL-94HB(BLACK)
4	TERMINAL	1	C2680R-H	MB:Cu Cu/Sn PLATED
3	TERMINAL	1	C2680R-H	MB:Cu Cu/Sn PLATED
2	OUTER CONTACT	1	C2680R-H	MB:Cu Cu/Sn PLATED
1	HOUSING	1	ABS	UL-94HB
LTR	PART NAME	QTY	MATERIAL	REMARK

Allconnectors

www.allconnectors.de
 Tel.: 0049 711 7000503
 70724 Filderstadt - Germany

Info@allconnectors.de
 Fax: 0049 711 7000504
 Kettnerstr. 25

PART NO. RCA-JR50E-03

DWG NO. RCA-JR50E-03

FILE NO.

UNIT / mm

SCALE 1:1

CHECKED BY CY

DRAWING BY

PROJECTION

TOLERANCES ARE
 .X ± 0.2
 .XX ±
 .XXX ±
 AWG

DESCRIPTION: PIN JACK

AREA

REVISIONS

HK DATE